

City of Norman
ADA Self-Evaluation and Transition Plan
Building Cost Projection Summary
5/1/2018

GPS ID	Project Name	Cost Projection
1	Municipal Complex - Bldg. A	\$ 46,950
2	Municipal Complex - Bldg. B	\$ 385,225
3	Municipal Complex - Bldg. C	\$ 72,250
	TOTAL	\$ 504,425

Site Accessibility Evaluation



Municipal Complex - Building A

**201 W Gray St
Norman, OK 73069**

Accessibility Evaluation

Inspection Date: 09/20/2017

Inspector: Karen Jackson

Prepared By



(972) 434 - 0068

www.accessology.com

Table of Contents

Findings 3

Parking lot K (Also serves Andrew's Park) 3

Entrance 7

General 9

Men's Restroom 15

Women's Restroom 21

Break Area by Engineering 27

Break Area by GIS Tech Area 30

Parking lot K (Also serves Andrew's Park)

Finding: 1

The access aisle has a 2.6% running slope.

2010 ADAS Section 502.4

Parking spaces and access aisles serving them shall comply with 302. Access aisles shall be at the same level as the parking spaces they serve. Changes in level are not permitted.

Citation:

2010 ADAS Section: 502.4

Budgeting Range:

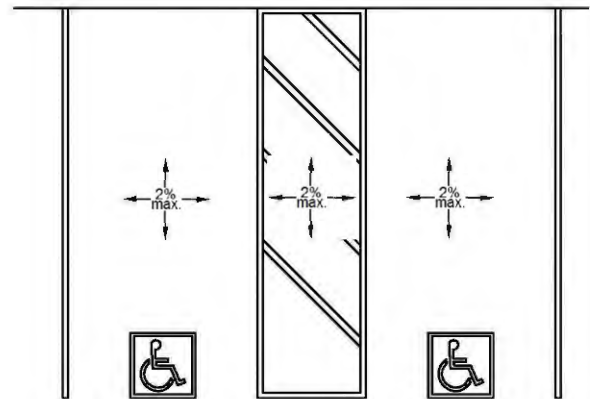
\$1500.00 - \$2000.00

Possible Solutions:

Modify paving to achieve slopes no greater than 2% in all directions.

Barrier Priority:

4 (High): Parking or exterior conditions (DOJ's level 1) – moderately out of compliance.



Finding #1 Additional Finding Photos



Parking lot K (Also serves Andrew's Park)

Finding: 2

The concrete expansion joint where the asphalt parking meets the paved sidewalk has a 1-1/2" gap.

2010 ADAS Section 302.3

Openings in floor or ground surfaces shall not allow passage of a sphere more than 1/2 inch (13 mm) diameter except as allowed in 407.4.3, 409.4.3, 410.4, 810.5.3 and 810.10. Elongated openings shall be placed so that the long dimension is perpendicular to the dominant direction of travel.

Citation:

2010 ADAS Section: 302.3

Budgeting Range:

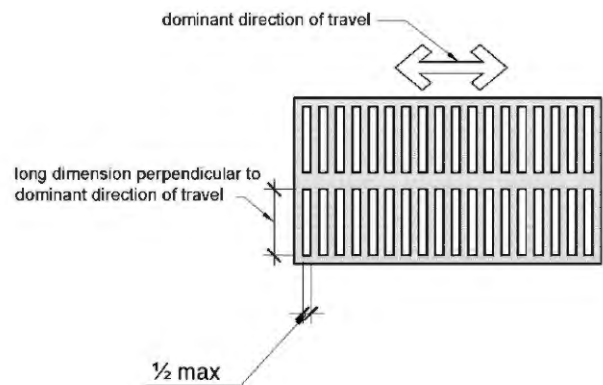
\$400.00 - \$500.00

Possible Solutions:

Fill in the gap to create a smooth transition.

Barrier Priority:

6 (Medium): Access to goods and services (DOJ level 2) moderately out of compliance. Parking or exterior conditions (DOJ's level 1) – minimally out of compliance. Restrooms (DOJ level 3) – severely out of compliance.



Finding #2 Additional Finding Photos



Entrance

Finding: 3

The landing at the entrance doors exceeds 2% slope.

2010 ADAS Section 404.2.4.4

Floor or ground surface within required maneuvering clearances shall comply with 302. Changes in level are not permitted.

Citation:

2010 ADAS Section: 404.2.4.4

Budgeting Range:

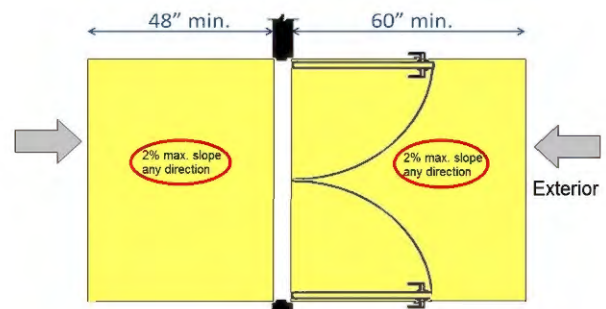
\$6500.00 - \$7500.00

Possible Solutions:

Replace landing (7' deep x 11'-4" wide) to achieve slopes no greater than 2% in all directions.

Barrier Priority:

3 (High): Element is more than twice the allowable requirement. No known complaint. AND (for exterior conditions) not near a hospital, school, transit stop, govt. bldg., or other pedestrian attractor.



Finding #3 Additional Finding Photos



General

Finding: 4

The accessible portion of the countertop does not extend the same depth as the main counter top. The main countertop is 12" deep and the accessible counter is only 10-1/8" deep.

2010 ADAS Section 904.4

Sales counters and service counters shall comply with 904.4.1 or 904.4.2. The accessible portion of the counter top shall extend the same depth as the sales or service counter top.

Citation:

2010 ADAS Section: 904.4

Budgeting Range:

\$1500.00 - \$2000.00

Possible Solutions:

Modify accessible portion of counter so it is 12" deep.

Barrier Priority:

7 (Medium): Access to goods and services (DOJ level 2) minimally out of compliance. Restrooms (DOJ level 3) – Moderately out of compliance Drinking fountains or public phones (DOJ level 4 & 5) severely out of compliance.



Finding #4 Additional Finding Photos



General

Finding: 5

Conference rooms A-D have paper signage provided. Conference rooms C & D have 2 entrances. Conference room B currently has no signage.

2010 ADAS Section 216.2

Interior and exterior signs identifying permanent rooms and spaces shall comply with 703.1, 703.2, and 703.5. Where pictograms are provided as designations of permanent interior rooms and spaces, the pictograms shall comply with 703.6 and shall have text descriptors complying with 703.2 and 703.5.

Citation:

2010 ADAS Section: 216.2

Budgeting Range:

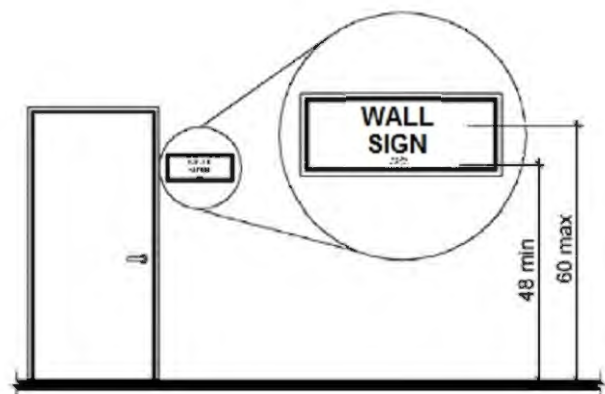
\$1000.00 - \$1500.00

Possible Solutions:

Install compliant signage with Braille and tactile characters on the latch side of the doors.

Barrier Priority:

6 (Medium): Access to goods and services (DOJ level 2) moderately out of compliance. Parking or exterior conditions (DOJ's level 1) – minimally out of compliance. Restrooms (DOJ level 3) – severely out of compliance.



Finding #5 Additional Finding Photos



General

Finding: 6

Signage for Housing Rehabilitation office is paper with no compliant features.

2010 ADAS Section 216.2

Interior and exterior signs identifying permanent rooms and spaces shall comply with 703.1, 703.2, and 703.5. Where pictograms are provided as designations of permanent interior rooms and spaces, the pictograms shall comply with 703.6 and shall have text descriptors complying with 703.2 and 703.5.

Citation:

2010 ADAS Section: 216.2

Budgeting Range:

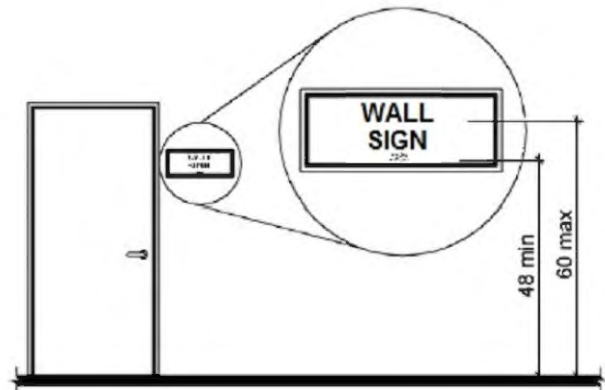
\$200.00 - \$250.00

Possible Solutions:

Install compliant signage with Braille and tactile characters on the latch side of the door.

Barrier Priority:

6 (Medium): Access to goods and services (DOJ level 2) moderately out of compliance. Parking or exterior conditions (DOJ's level 1) – minimally out of compliance. Restrooms (DOJ level 3) – severely out of compliance.



General

Finding: 7

There are 38 doors throughout the office that have door hardware that requires tight grasping, pinching or twisting of the wrist to operate.

2010 ADAS Section 309.4

Operable parts shall be operable with one hand and shall not require tight grasping, pinching, or twisting of the wrist. The force required to activate operable parts shall be 5 pounds (22.2 N) maximum.

Citation:

2010 ADAS Section: 309.4

Budgeting Range:

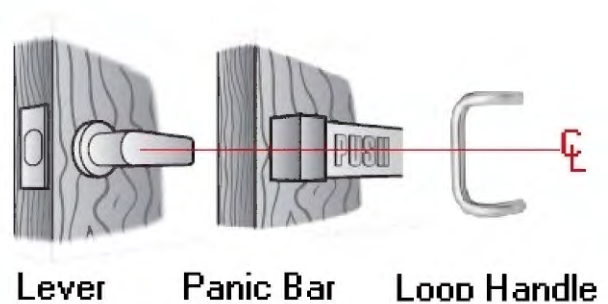
\$14000.00 - \$15000.00

Possible Solutions:

Replace door knobs with lever style door hardware.

Barrier Priority:

5 (Medium): Access to goods and services issues (DOJ level 2) - severely out of compliance.



Operating hardware must be centered between 34" and 44" above the floor or ground

Men's Restroom

Finding: 8

The flush handle is located on the wrong side of the water closet.

2010 ADAS Section 604.6

Flush controls shall be hand operated or automatic. Hand operated flush controls shall comply with 309. Flush controls shall be located on the open side of the water closet except in ambulatory accessible compartments complying with 604.8.2.

Citation:

2010 ADAS Section: 604.6

Budgeting Range:

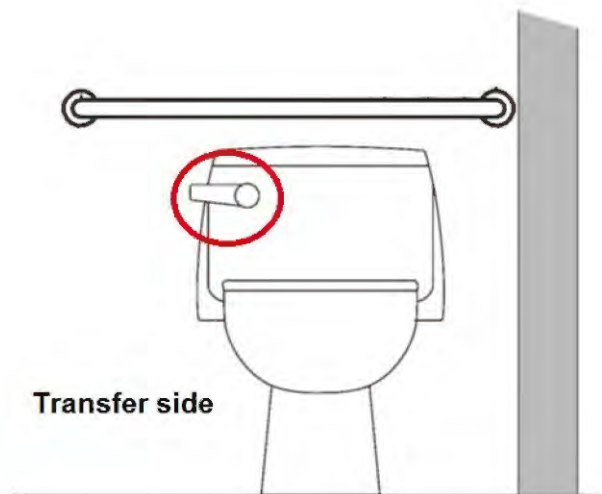
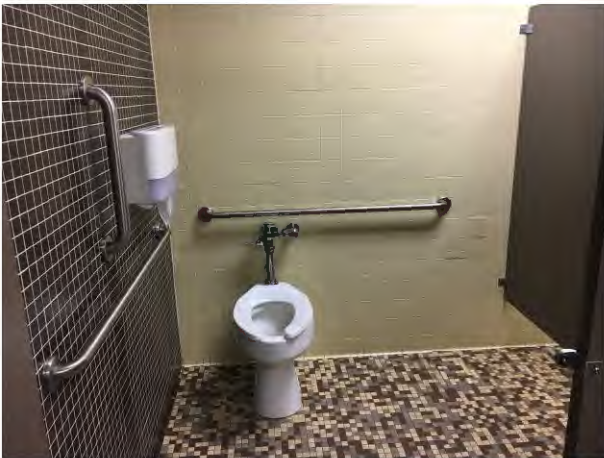
\$450.00 - \$500.00

Possible Solutions:

Modify water closet to provide flush control on opposite side of water closet.

Barrier Priority:

7 (Medium): Access to goods and services (DOJ level 2) minimally out of compliance. Restrooms (DOJ level 3) – Moderately out of compliance Drinking fountains or public phones (DOJ level 4 & 5) severely out of compliance.



Men's Restroom

Finding: 9

The water closet is located 19-1/2" from from the side wall or partition.

2010 ADAS Section 604.2

The water closet shall be positioned with a wall or partition to the rear and to one side. The centerline of the water closet shall be 16 inches (405 mm) minimum to 18 inches (455 mm) maximum from the side wall or partition, except that the water closet shall be 17 inches (430 mm) minimum and 19 inches (485 mm) maximum from the side wall or partition in the ambulatory accessible toilet compartment specified in 604.8.2. Water closets shall be arranged for a left-hand or right-hand approach.

Citation:

2010 ADAS Section: 604.2

Budgeting Range:

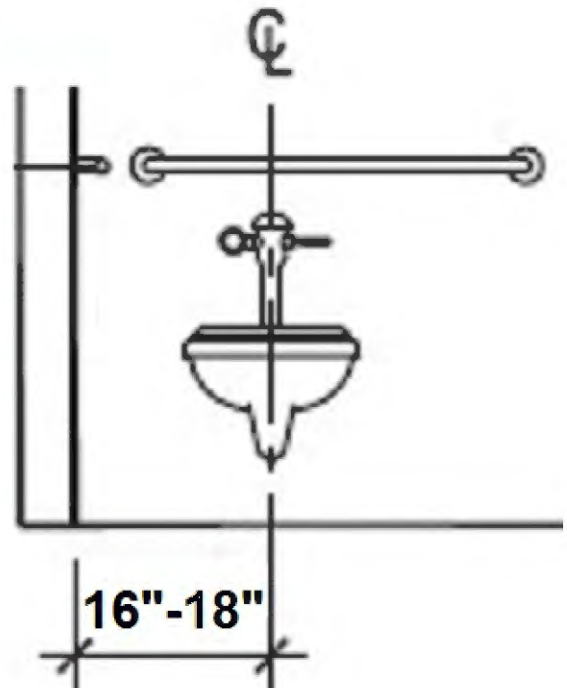
\$2000.00 - \$2500.00

Possible Solutions:

Relocate the water closet so the centerline is at 16"-18" from the side wall.

Barrier Priority:

7 (Medium): Access to goods and services (DOJ level 2) minimally out of compliance. Restrooms (DOJ level 3) – Moderately out of compliance Drinking fountains or public phones (DOJ level 4 & 5) severely out of compliance.



Men's Restroom

Finding: 10

The toilet paper dispenser is mounted too close to the top of the grab bar, minimizing the gripping surface.

2010 ADAS Section 609.3

The space between the wall and the grab bar shall be 1 1/2 inches (38 mm). The space between the grab bar and projecting objects below and at the ends shall be 1 1/2 inches (38 mm) minimum. The space between the grab bar and projecting objects above shall be 12 inches (305 mm) minimum.

Citation:

2010 ADAS Section: 609.3

Budgeting Range:

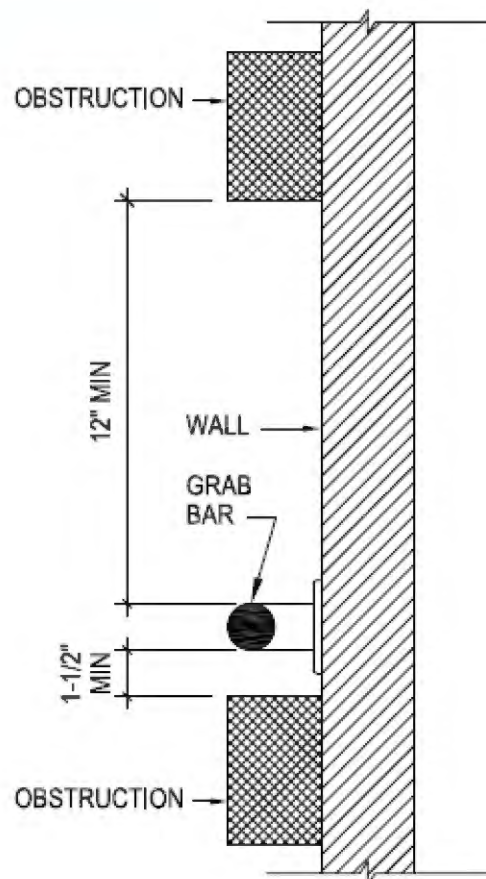
\$150.00 - \$200.00

Possible Solutions:

Relocate toilet paper dispenser so it is 12" from the top of the grab bar to the bottom of the dispenser.

Barrier Priority:

7 (Medium): Access to goods and services (DOJ level 2) minimally out of compliance. Restrooms (DOJ level 3) – Moderately out of compliance Drinking fountains or public phones (DOJ level 4 & 5) severely out of compliance.



Men's Restroom

Finding: 11

The urinal is located in an area that only allows a 29-1/2" wide clear floor space for a front approach. There is a wing wall that blocks the required clear floor space.

The surrounding elements of a urinal must provide a minimum of 30" by 48" of clear floor space for a front approach.

2010 ADAS Section 605.2

Urinals shall be the stall-type or the wall-hung type with the rim 17 inches (430 mm) maximum above the finish floor or ground. Urinals shall be 13 1/2 inches (345 mm) deep minimum measured from the outer face of the urinal rim to the back of the fixture.

Citation:

2010 ADAS Section: 605.2

Budgeting Range:

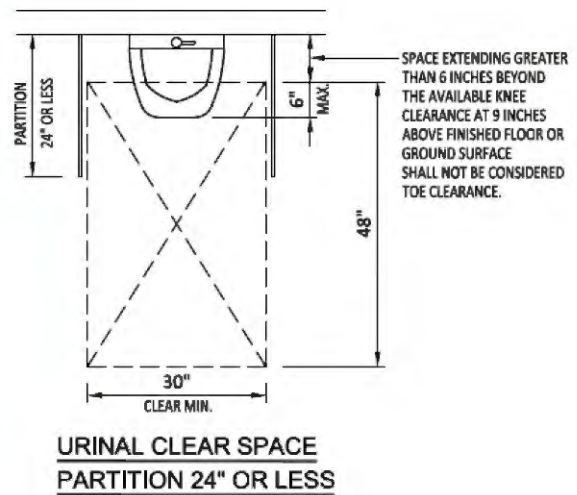
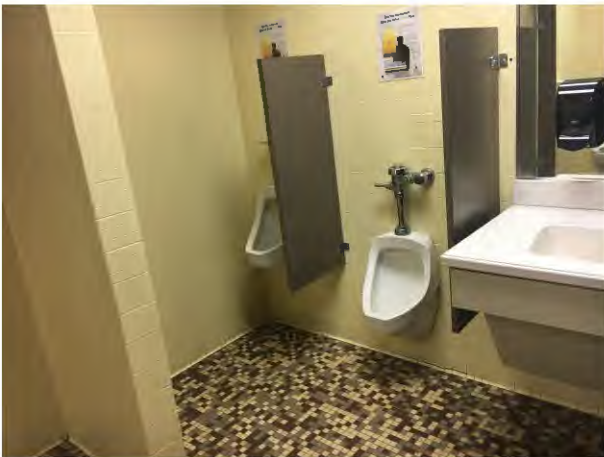
\$1500.00 - \$2500.00

Possible Solutions:

Reduce the width of the wing wall to provide the required clear floor space at the urinal.

Barrier Priority:

6 (Medium): Access to goods and services (DOJ level 2) moderately out of compliance. Parking or exterior conditions (DOJ's level 1) – minimally out of compliance. Restrooms (DOJ level 3) – severely out of compliance.



Finding #11 Additional Finding Photos



Men's Restroom

Finding: 12

The coat hook is installed at 57-1/2" where a maximum of 48" is required.

2010 ADAS Section 308.2.1

Where a forward reach is unobstructed, the high forward reach shall be 48 inches (1220 mm) maximum and the low forward reach shall be 15 inches (380 mm) minimum above the finish floor or ground.

Citation:

2010 ADAS Section: 308.2.1

Budgeting Range:

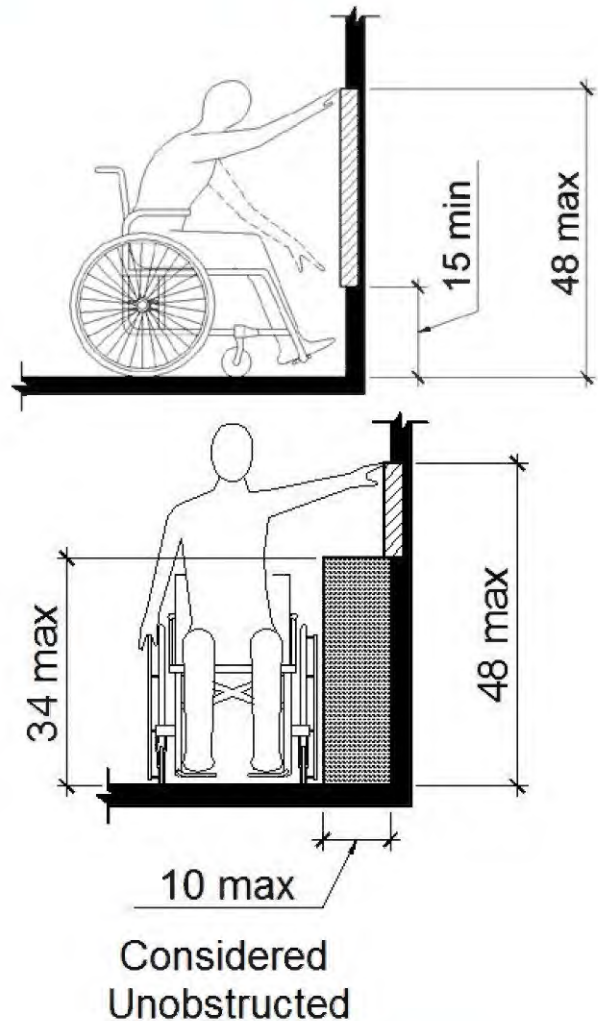
\$100.00 - \$150.00

Possible Solutions:

Add a coat hook that is no higher than 4" above finished floor.

Barrier Priority:

9 (Low): Restrooms (DOJ level 3) – minimally out of compliance.



Women's Restroom

Finding: 13

The maneuvering space on the pull side of the door is only 16-1/8" where a minimum of 18" is required.

2010 ADAS Section 404.2.4.1

Swinging doors and gates shall have maneuvering clearances complying with Table 404.2.4.1.

Citation:

2010 ADAS Section: 404.2.4.1

Budgeting Range:

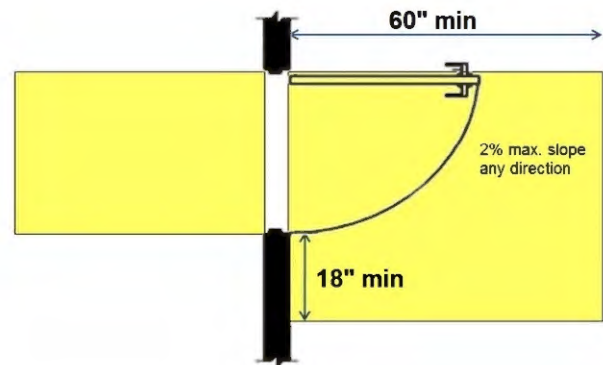
\$2000.00 - \$2500.00

Possible Solutions:

Reverse the swing of the door.

Barrier Priority:

6 (Medium): Access to goods and services (DOJ level 2) moderately out of compliance. Parking or exterior conditions (DOJ's level 1) – minimally out of compliance. Restrooms (DOJ level 3) – severely out of compliance.



Women's Restroom

Finding: 14

The water closet is located at 19" from the side wall to the centerline.

2010 ADAS Section 604.2

The water closet shall be positioned with a wall or partition to the rear and to one side. The centerline of the water closet shall be 16 inches (405 mm) minimum to 18 inches (455 mm) maximum from the side wall or partition, except that the water closet shall be 17 inches (430 mm) minimum and 19 inches (485 mm) maximum from the side wall or partition in the ambulatory accessible toilet compartment specified in 604.8.2. Water closets shall be arranged for a left-hand or right-hand approach.

Citation:

2010 ADAS Section: 604.2

Budgeting Range:

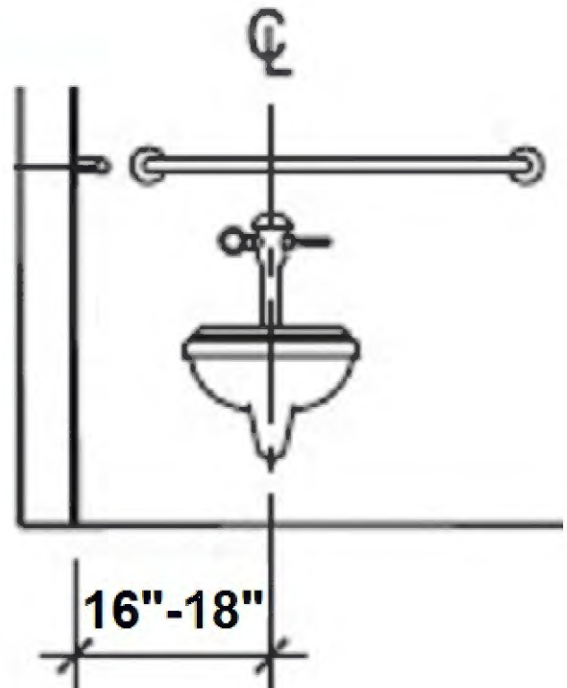
\$2000.00 - \$2500.00

Possible Solutions:

Relocate the water closet so the centerline is at 16"-18" from the side wall.

Barrier Priority:

7 (Medium): Access to goods and services (DOJ level 2) minimally out of compliance. Restrooms (DOJ level 3) – Moderately out of compliance Drinking fountains or public phones (DOJ level 4 & 5) severely out of compliance.



Women's Restroom

Finding: 15

The water closet seat is 19-5/8" to the top of the seat.

2010 ADAS Section 604.4

The seat height of a water closet above the finish floor shall be 17 inches (430 mm) minimum and 19 inches (485 mm) maximum measured to the top of the seat. Seats shall not be sprung to return to a lifted position.

Citation:

2010 ADAS Section: 604.4

Budgeting Range:

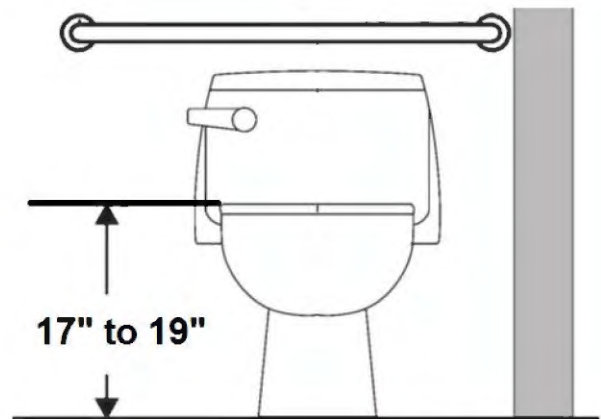
\$150.00 - \$200.00

Possible Solutions:

Replace water closet seat with a shorter seat to achieve 17"-19" height.

Barrier Priority:

9 (Low): Restrooms (DOJ level 3) – minimally out of compliance.



Women's Restroom

Finding: 16

The toilet paper dispenser is mounted 9" to the top of the grab bar, minimizing the gripping surface.

2010 ADAS Section 609.3

The space between the wall and the grab bar shall be 1 1/2 inches (38 mm). The space between the grab bar and projecting objects below and at the ends shall be 1 1/2 inches (38 mm) minimum. The space between the grab bar and projecting objects above shall be 12 inches (305 mm) minimum.

Citation:

2010 ADAS Section: 609.3

Budgeting Range:

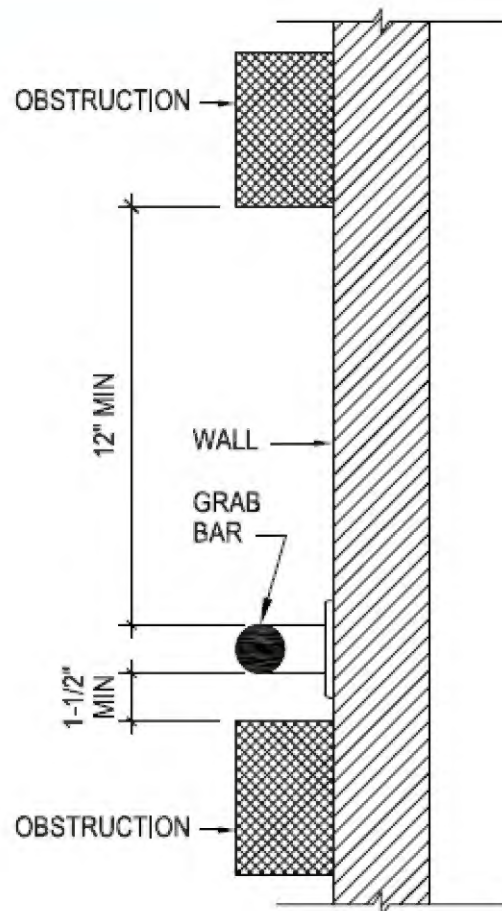
\$150.00 - \$200.00

Possible Solutions:

Relocate toilet paper dispenser so it is 12" from the top of the grab bar to the bottom of the dispenser.

Barrier Priority:

7 (Medium): Access to goods and services (DOJ level 2) minimally out of compliance. Restrooms (DOJ level 3) – Moderately out of compliance Drinking fountains or public phones (DOJ level 4 & 5) severely out of compliance.



Women's Restroom

Finding: 17

Knee clearance at the lavatory is only 26-3/8" where a minimum of 27" is required.

2010 ADAS Section 306.3.1

Space under an element between 9 inches (230 mm) and 27 inches (685 mm) above the finish floor or ground shall be considered knee clearance and shall comply with 306.3.

Citation:

2010 ADAS Section: 306.3.1

Budgeting Range:

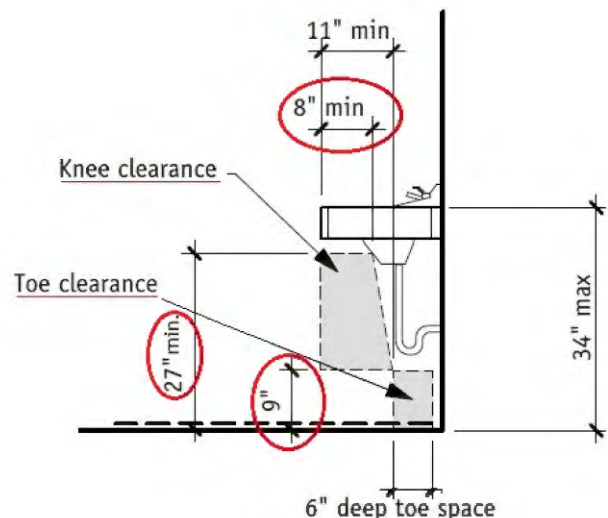
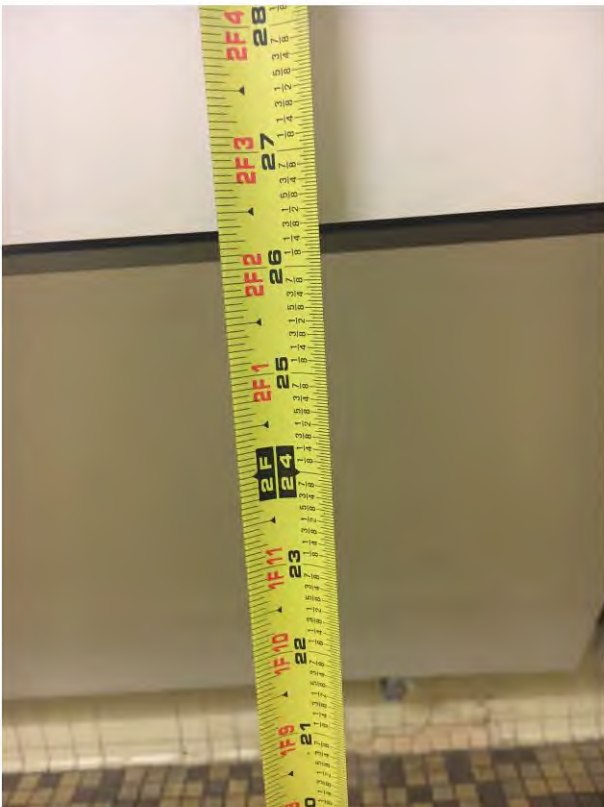
\$1500.00 - \$2000.00

Possible Solutions:

Modify counter to provide a 27" minimum knee clearance.

Barrier Priority:

7 (Medium): Access to goods and services (DOJ level 2) minimally out of compliance. Restrooms (DOJ level 3) – Moderately out of compliance Drinking fountains or public phones (DOJ level 4 & 5) severely out of compliance.



Women's Restroom

Finding: 18

The feminine product controls requires tight grasping, tight pinching or twisting of the wrist to operate.

2010 ADAS Section 309.4

Operable parts shall be operable with one hand and shall not require tight grasping, pinching, or twisting of the wrist. The force required to activate operable parts shall be 5 pounds (22.2 N) maximum.

Citation:

2010 ADAS Section: 309.4

Budgeting Range:

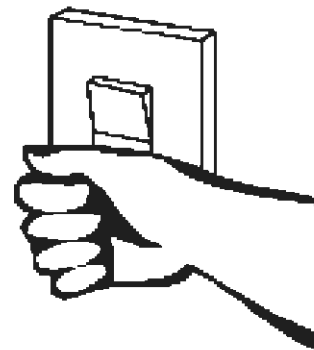
\$300.00 - \$450.00

Possible Solutions:

Replace with a dispenser that has controls that do not require grasping and twisting to operate.

Barrier Priority:

9 (Low): Restrooms (DOJ level 3) – minimally out of compliance.



Break Area by Engineering

Finding: 19

The top of the counter is at 35-7/8" where 34" maximum is required.

2010 ADAS Section 606.3

Lavatories and sinks shall be installed with the front of the higher of the rim or counter surface 34 inches (865 mm) maximum above the finish floor or ground.

Citation:

2010 ADAS Section: 606.3

Budgeting Range:

\$1500.00 - \$2000.00

Possible Solutions:

Modify counter to provide a 34" maximum height.

Barrier Priority:

7 (Medium): Access to goods and services (DOJ level 2) minimally out of compliance. Restrooms (DOJ level 3) – Moderately out of compliance Drinking fountains or public phones (DOJ level 4 & 5) severely out of compliance.



Finding #19 Additional Finding Photos



Break Area by Engineering

Finding: 20

The sink controls requires tight grasping, tight pinching or twisting of the wrist to operate.

2010 ADAS Section 309.4

Operable parts shall be operable with one hand and shall not require tight grasping, pinching, or twisting of the wrist. The force required to activate operable parts shall be 5 pounds (22.2 N) maximum.

Citation:

2010 ADAS Section: 309.4

Budgeting Range:

\$450.00 - \$500.00

Possible Solutions:

Replace with lever style faucet controls.

Barrier Priority:

6 (Medium): Access to goods and services (DOJ level 2) moderately out of compliance. Parking or exterior conditions (DOJ's level 1) – minimally out of compliance. Restrooms (DOJ level 3) – severely out of compliance.



Break Area by GIS Tech Area

Finding: 21

The top of the counter is at 35-7/8" where 34" maximum us required.

2010 ADAS Section 606.3

Lavatories and sinks shall be installed with the front of the higher of the rim or counter surface 34 inches (865 mm) maximum above the finish floor or ground.

Citation:

2010 ADAS Section: 606.3

Budgeting Range:

\$1500.00 - \$2000.00

Possible Solutions:

Modify counter to provide a 34" maximum height.

Barrier Priority:

7 (Medium): Access to goods and services (DOJ level 2) minimally out of compliance. Restrooms (DOJ level 3) – Moderately out of compliance Drinking fountains or public phones (DOJ level 4 & 5) severely out of compliance.



Finding #21 Additional Finding Photos



Break Area by GIS Tech Area

Finding: 22

The highest operable part of the microwave is at 67-1/2" above finished floor where a maximum of 48" is allowed.

2010 ADAS Section 308.2.1

Where a forward reach is unobstructed, the high forward reach shall be 48 inches (1220 mm) maximum and the low forward reach shall be 15 inches (380 mm) minimum above the finish floor or ground.

2010 ADAS Section 308.3.1

Where a clear floor or ground space allows a parallel approach to an element and the side reach is unobstructed, the high side reach shall be 48 inches (1220 mm) maximum and the low side reach shall be 15 inches (380 mm) minimum above the finish floor or ground.

Citation:

2010 ADAS Section: 308.2.1, 308.3.1

Budgeting Range:

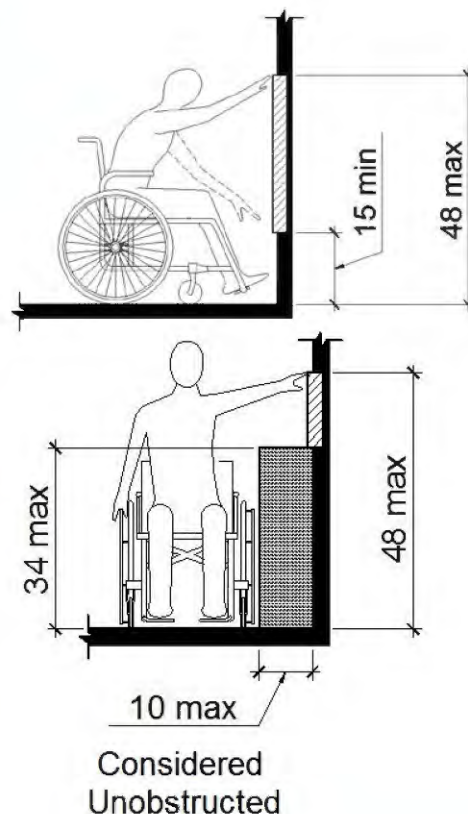
\$0.00 - \$0.00

Possible Solutions:

Provide a microwave where the highest operable part is at 48" above finished floor.

Barrier Priority:

11 (Low): Client is a Title II agency, elements are out of compliance but may be able to handled programmatically, or do not need to be handled unless or until they hire a person with a disability.



Site Accessibility Evaluation



Municipal Complex - Building B

**201 W Gray St
Norman, OK 73069**

Accessibility Evaluation

Inspection Date: 09/20/2017

Inspector: Karen Jackson

Prepared By



(972) 434 - 0068

www.accessology.com

Table of Contents

Findings	3
Parking lot I (also serves Andrews Park)	3
Exterior Path of Travel	5
Lobby - Men's Restroom	7
Lobby - Women's Restroom	12
Municipal Courts - General	21
Municipal Courts - Court Room	38
Municipal Courts - Men's Restroom	42
Municipal Courts - Women's Restroom	49
Municipal Courts - Judge's Restroom	56
Municipal Courts - Breakroom	60
Police Station - General	63
Police Station - Men's Restroom	92
Police Station - Women's Restroom	101
Police Station - Men's Locker Room	113
Police Station - Women's Locker Room	129
Police Station - Break Room	144
Police Station - Basement General	150
Police Station - Basement Men's Restroom	155
Police Station - Basement Women's Restroom	162
Police Station - Basement Break Room	172

Parking lot I (also serves Andrews Park)

Finding: 1

There are no accessible parking stalls provided in this parking lot. This lot has reserved parking for the court staff. The other non-reserved parking spaces serve Andrews Park.

Each lot where parking is provided for the public as clients, guests or employees, shall provide accessible parking and shall be located on the shortest accessible route of travel from adjacent parking to an accessible entrance.

2010 ADAS Section 208.2

Parking spaces complying with 502 shall be provided in accordance with Table 208.2 except as required by 208.2.1, 208.2.2, and 208.2.3. Where more than one parking facility is provided on a site, the number of accessible spaces provided on the site shall be calculated according to the number of spaces required for each parking facility.

Citation:

2010 ADAS Section: 208.2

Current

Condition:

N/A

Budgeting Range:

\$5500.00 - \$6000.00

Possible Solutions:

Provide 2 accessible parking spaces with a shared access aisle and compliant parking signage. One of the two accessible parking spaces is required to be Van Accessible.

Barrier Priority:

4 (High): Parking or exterior conditions (DOJ's level 1) – moderately out of compliance.



Total Number of Parking Spaces Provided in Parking Facility	Minimum Number of Required Accessible Parking Spaces
1 to 25	1
26 to 50	2
51 to 75	3
76 to 100	4
101 to 150	5
151 to 200	6
201 to 300	7
301 to 400	8
401 to 500	9
501 to 1000	2 percent of total
1001 and over	20, plus 1 for each 100, or fraction thereof, over 1000

Finding #1 Additional Finding Photos



Exterior Path of Travel

Finding: 2

A 4' x 5' portion of the ramp leading to the building's main entrance has a running slope of 10.1%

2010 ADAS Section 405.2

Ramp runs shall have a running slope not steeper than 1:12.

Citation:

2010 ADAS Section: 405.2

Current

Condition:

10.1%

Budgeting Range:

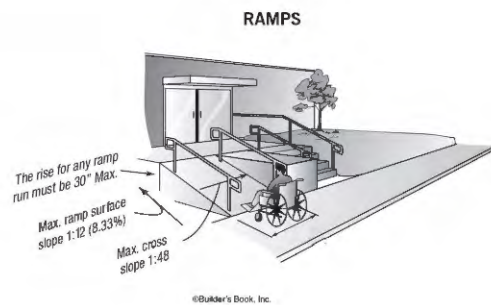
\$2000.00 - \$3000.00

Possible Solutions:

Reconstruct ramp to achieve a 1:12 (8.33%) maximum running slope for entire length of the ramp.

Barrier Priority:

3 (High): Element is more than twice the allowable requirement. No known complaint. AND (for exterior conditions) not near a hospital, school, transit stop, govt. bldg., or other pedestrian attractor.



Finding #2 Additional Finding Photos



Lobby - Men's Restroom

Finding: 3

The door exceeds the maximum pressure of 5 pounds to open.

2010 ADAS Section 404.2.9

Fire doors shall have a minimum opening force allowable by the appropriate administrative authority. The force for pushing or pulling open a door or gate other than fire doors shall be as follows: 1. Interior hinged doors and gates: 5 pounds (22.2 N) maximum. 2. Sliding or folding doors: 5 pounds (22.2 N) maximum. These forces do not apply to the force required to retract latch bolts or disengage other devices that hold the door or gate in a closed position.

Citation:

2010 ADAS Section: 404.2.9

Current Condition:

N/A

Budgeting Range:

\$100.00 - \$150.00

Possible Solutions:

Adjust door closing mechanism.

Barrier Priority:

9 (Low): Restrooms (DOJ level 3) – minimally out of compliance.



Lobby - Men's Restroom

Finding: 4

There is no wheelchair accessible toilet compartment provided.

2010 ADAS Section 213.3.1

Where toilet compartments are provided, at least one toilet compartment shall comply with 604.8.1. In addition to the compartment required to comply with 604.8.1, at least one compartment shall comply with 604.8.2 where six or more toilet compartments are provided, or where the combination of urinals and water closets totals six or more fixtures.

Citation:

2010 ADAS Section: 213.3.1

Current

Condition:

N/A

Budgeting Range:

\$3500.00 - \$4000.00

Possible Solutions:

Modify partitions to provide a wheelchair accessible compartment. Clearance around a water closet shall be 60" minimum measured perpendicular from the side wall and 56" minimum measured perpendicular from the rear wall.

Barrier Priority:

6 (Medium): Access to goods and services (DOJ level 2) moderately out of compliance. Parking or exterior conditions (DOJ's level 1) – minimally out of compliance. Restrooms (DOJ level 3) – severely out of compliance.



Lobby - Men's Restroom

Finding: 5

The pedestal blocks the required knee clearance at the lavatory.

2010 ADAS Section 306.3.3

Where knee clearance is required under an element as part of a clear floor space, the knee clearance shall be 11 inches (280 mm) deep minimum at 9 inches (230 mm) above the finish floor or ground, and 8 inches (205 mm) deep minimum at 27 inches (685 mm) above the finish floor or ground.

Citation:

2010 ADAS Section: 306.3.3

Current

Condition:

N/A

Budgeting Range:

\$2000.00 - \$2500.00

Possible Solutions:

Provide a compliant lavatory.

Barrier Priority:

6 (Medium): Access to goods and services (DOJ level 2) moderately out of compliance. Parking or exterior conditions (DOJ's level 1) – minimally out of compliance. Restrooms (DOJ level 3) – severely out of compliance.



Lobby - Men's Restroom

Finding: 6

The mirror is mounted at 48" to the bottom of the reflective surface.

2010 ADAS Section 603.2
Clearances shall comply with 603.2.

Citation:

2010 ADAS Section: 603.2

Current Condition:

48"

Budgeting Range:

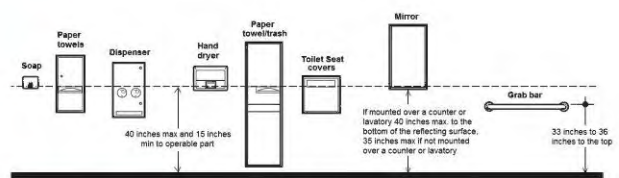
\$150.00 - \$200.00

Possible Solutions:

Lower mirror so the bottom reflective surface is no higher than 40" above finished floor or install a full height mirror.

Barrier Priority:

7 (Medium): Access to goods and services (DOJ level 2) minimally out of compliance. Restrooms (DOJ level 3) – Moderately out of compliance Drinking fountains or public phones (DOJ level 4 & 5) severely out of compliance.



Lobby - Men's Restroom

Finding: 7

The operating mechanism of the paper towel dispenser is 50" above finished floor where a maximum of 48" is required.

2010 ADAS Section 308.2.1

Where a forward reach is unobstructed, the high forward reach shall be 48 inches (1220 mm) maximum and the low forward reach shall be 15 inches (380 mm) minimum above the finish floor or ground.

Citation:

2010 ADAS Section: 308.2.1

Current

Condition:

50"

Budgeting Range:

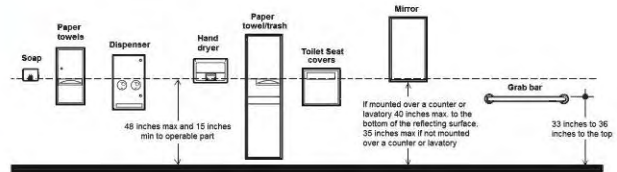
\$450.00 - \$500.00

Possible Solutions:

Lower paper towel dispenser so the highest operable part is at 48" above finished floor.

Barrier Priority:

8 (Medium): Drinking fountains or public phones (DOJ level 4 & 5) - moderately out of compliance.



Lobby - Women's Restroom

Finding: 8

The door exceeds the maximum 5 pounds of pressure to open.

2010 ADAS Section 404.2.9

Fire doors shall have a minimum opening force allowable by the appropriate administrative authority. The force for pushing or pulling open a door or gate other than fire doors shall be as follows: 1. Interior hinged doors and gates: 5 pounds (22.2 N) maximum. 2. Sliding or folding doors: 5 pounds (22.2 N) maximum. These forces do not apply to the force required to retract latch bolts or disengage other devices that hold the door or gate in a closed position.

Citation:

2010 ADAS Section: 404.2.9

Current Condition:

N/A

Budgeting Range:

\$100.00 - \$150.00

Possible Solutions:

Adjust door closing mechanism.

Barrier Priority:

9 (Low): Restrooms (DOJ level 3) – minimally out of compliance.



Lobby - Women's Restroom

Finding: 9

There are no wheelchair accessible toilet compartments provided.

2010 ADAS Section 213.3.1

Where toilet compartments are provided, at least one toilet compartment shall comply with 604.8.1. In addition to the compartment required to comply with 604.8.1, at least one compartment shall comply with 604.8.2 where six or more toilet compartments are provided, or where the combination of urinals and water closets totals six or more fixtures.

Citation:

2010 ADAS Section: 213.3.1

Current

Condition:

N/A

Budgeting Range:

\$3500.00 - \$4000.00

Possible Solutions:

Modify partitions to provide a wheelchair accessible compartment. Clearance around a water closet shall be 60" minimum measured perpendicular from the side wall and 56" minimum measured perpendicular from the rear wall.

Barrier Priority:

6 (Medium): Access to goods and services (DOJ level 2) moderately out of compliance. Parking or exterior conditions (DOJ's level 1) – minimally out of compliance. Restrooms (DOJ level 3) – severely out of compliance.



Lobby - Women's Restroom

Finding: 10

The pedestal blocks the required knee clearance.

2010 ADAS Section 306.3.3

Where knee clearance is required under an element as part of a clear floor space, the knee clearance shall be 11 inches (280 mm) deep minimum at 9 inches (230 mm) above the finish floor or ground, and 8 inches (205 mm) deep minimum at 27 inches (685 mm) above the finish floor or ground.

Citation:

2010 ADAS Section: 306.3.3

Current

Condition:

N/A

Budgeting Range:

\$2000.00 - \$2500.00

Possible Solutions:

Provide a compliant lavatory.

Barrier Priority:

6 (Medium): Access to goods and services (DOJ level 2) moderately out of compliance. Parking or exterior conditions (DOJ's level 1) – minimally out of compliance. Restrooms (DOJ level 3) – severely out of compliance.



Finding #10 Additional Finding Photos



Lobby - Women's Restroom

Finding: 11

The mirror is mounted at 48" to the bottom of the reflective surface where a maximum of 40" is required.

2010 ADAS Section 603.2
Clearances shall comply with 603.2.

Citation:

2010 ADAS Section: 603.2

Current Condition:

48"

Budgeting Range:

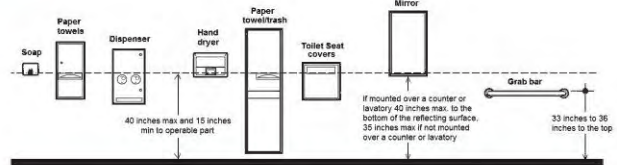
\$150.00 - \$200.00

Possible Solutions:

Lower mirror so the bottom reflective surface is no higher than 40" above finished floor or provide a full height mirror.

Barrier Priority:

7 (Medium): Access to goods and services (DOJ level 2) minimally out of compliance. Restrooms (DOJ level 3) – Moderately out of compliance Drinking fountains or public phones (DOJ level 4 & 5) severely out of compliance.



Lobby - Women's Restroom

Finding: 12

The paper towel dispenser's operation mechanism is at 58" above finished floor where a maximum of 48" is required.

2010 ADAS Section 308.2.1

Where a forward reach is unobstructed, the high forward reach shall be 48 inches (1220 mm) maximum and the low forward reach shall be 15 inches (380 mm) minimum above the finish floor or ground.

Citation:

2010 ADAS Section: 308.2.1

Current

Condition:

58"

Budgeting Range:

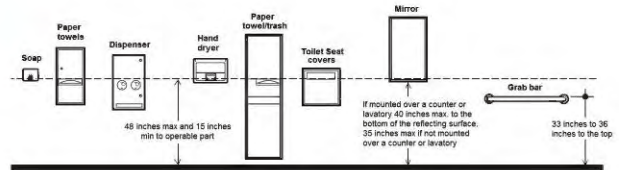
\$450.00 - \$500.00

Possible Solutions:

Lower paper towel dispenser so the highest operable part is at 48" above finished floor.

Barrier Priority:

8 (Medium): Drinking fountains or public phones (DOJ level 4 & 5) - moderately out of compliance.



Lobby - Women's Restroom

Finding: 13

The feminine product dispenser controls requires tight grasping, tight pinching or twisting of the wrist to operate.

2010 ADAS Section 309.4

Operable parts shall be operable with one hand and shall not require tight grasping, pinching, or twisting of the wrist. The force required to activate operable parts shall be 5 pounds (22.2 N) maximum.

Citation:

2010 ADAS Section: 309.4

Current

Condition:

N/A

Budgeting Range:

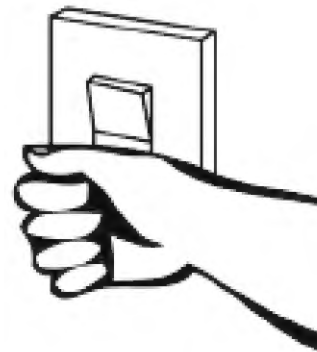
\$350.00 - \$400.00

Possible Solutions:

Replace with a dispenser that has controls that do not require grasping and twisting to operate.

Barrier Priority:

11 (Low): Client is a Title II agency, elements are out of compliance but may be able to handled programmatically, or do not need to be handled unless or until they hire a person with a disability.



Lobby - Women's Restroom

Finding: 14

The shelf is mounted at 50-1/2" where a maximum of 48" above finished floor is required.

2010 ADAS Section 603.4

Coat hooks shall be located within one of the reach ranges specified in 308. Shelves shall be located 40 inches (1015 mm) minimum and 48 inches (1220 mm) maximum above the finish floor.

Citation:

2010 ADAS Section: 603.4

Current

Condition:

50-1/2"

Budgeting Range:

\$350.00 - \$400.00

Possible Solutions:

Lower the shelf so it is no higher than 48" above finished floor.

Barrier Priority:

9 (Low): Restrooms (DOJ level 3) – minimally out of compliance.



Lobby - Women's Restroom

Finding: 15

The baby changing table operating mechanism is outside reach range, the maximum high reach allowed is 48".

2010 ADAS Section 308.3.1

Where a clear floor or ground space allows a parallel approach to an element and the side reach is unobstructed, the high side reach shall be 48 inches (1220 mm) maximum and the low side reach shall be 15 inches (380 mm) minimum above the finish floor or ground.

Citation:

2010 ADAS Section: 308.3.1

Current

Condition:

35-1/4"

Budgeting Range:

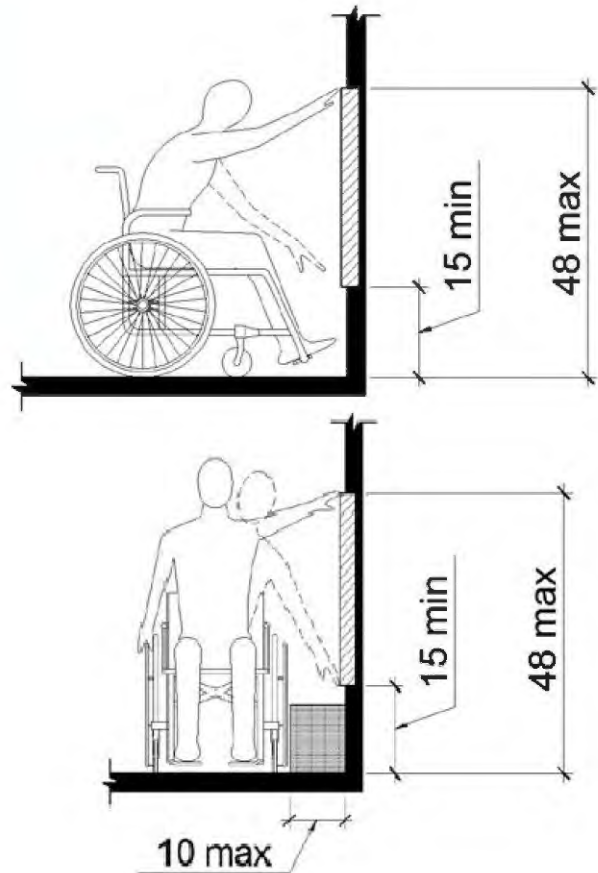
\$100.00 - \$150.00

Possible Solutions:

Lower baby changing station so it is a maximum of 34" above finished floor when open.

Barrier Priority:

9 (Low): Restrooms (DOJ level 3) – minimally out of compliance.



Municipal Courts - General

Finding: 16

The payment drop box opening in the Municipal Courts lobby is at 50" above finished floor.

2010 ADAS Section 308.1
Reach ranges shall comply with 308.

Citation:

2010 ADAS Section: 308.1

**Current
Condition:**
50"

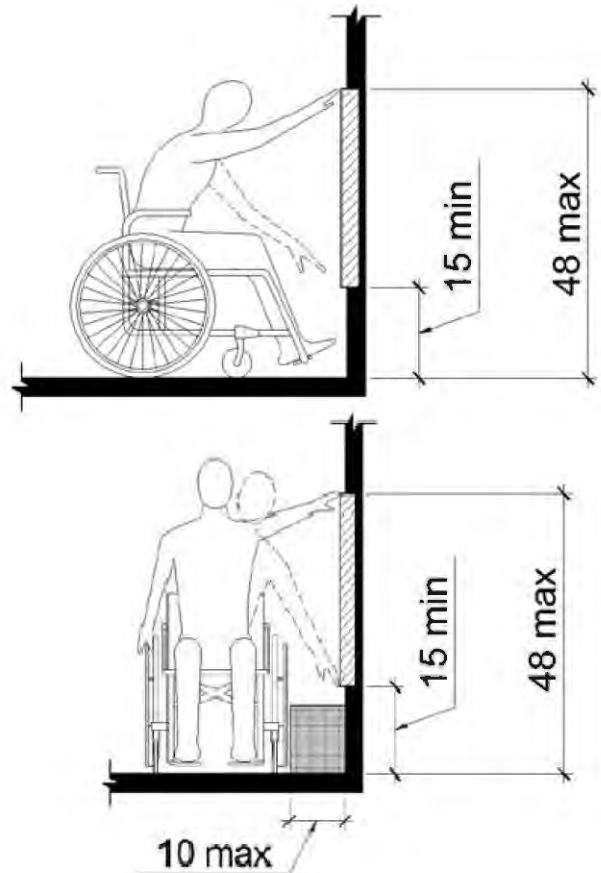
Budgeting Range:
\$250.00 - \$300.00

Possible Solutions:

Provide a payment drop box where the payment slot is no higher than 48" above finished floor.

Barrier Priority:

7 (Medium): Access to goods and services (DOJ level 2) minimally out of compliance. Restrooms (DOJ level 3) – Moderately out of compliance Drinking fountains or public phones (DOJ level 4 & 5) severely out of compliance.



Finding #16 Additional Finding Photos



Municipal Courts - General

Finding: 17

The transaction tray portion of the counter at the Municipal Court counter is at 41" above finished floor.

2010 ADAS Section 904.4

Sales counters and service counters shall comply with 904.4.1 or 904.4.2. The accessible portion of the counter top shall extend the same depth as the sales or service counter top.

Citation:

2010 ADAS Section: 904.4

Current

Condition:

41"

Budgeting Range:

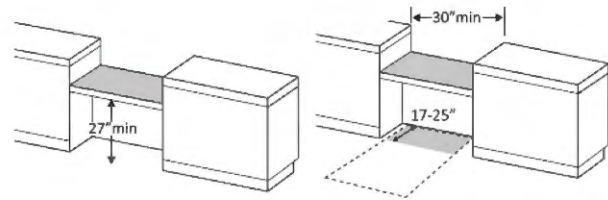
\$1500.00 - \$2000.00

Possible Solutions:

Modify counter so the transaction tray it is no higher than 36" high.

Barrier Priority:

5 (Medium): Access to goods and services issues (DOJ level 2) - severely out of compliance.



Finding #17 Additional Finding Photos



Municipal Courts - General

Finding: 18

The door leading from the Video Room to the lobby is equipped with both a closer and a latch and is recessed on the latch side greater than 8" deep. There is no latch side clearance within the alcove.

2010 ADAS Section 404.2.4.3

Maneuvering clearances for forward approach shall be provided when any obstruction within 18 inches (455 mm) of the latch side of a doorway projects more than 8 inches (205 mm) beyond the face of the door, measured perpendicular to the face of the door or gate.

Citation:

2010 ADAS Section: 404.2.4.3

Current

Condition:

20"

Budgeting Range:

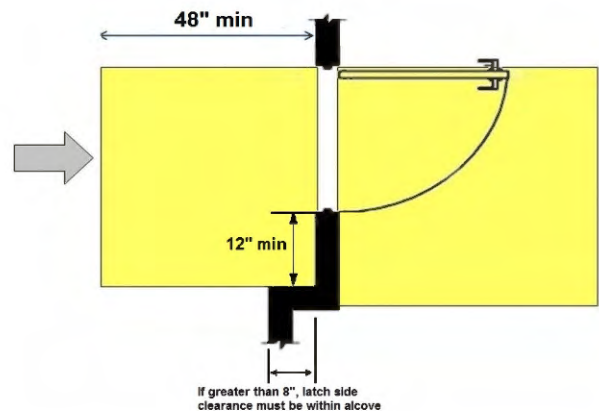
\$2000.00 - \$2500.00

Possible Solutions:

Modify door to provide the required maneuvering clearance or install an automatic door opening device.

Barrier Priority:

6 (Medium): Access to goods and services (DOJ level 2) moderately out of compliance. Parking or exterior conditions (DOJ's level 1) – minimally out of compliance. Restrooms (DOJ level 3) – severely out of compliance.



Finding #18 Additional Finding Photos



Municipal Courts - General

Finding: 19

The clear width of the door leading into the Video room from the lobby is only 31" wide.

2010 ADAS Section 404.2.3

Door openings shall provide a clear width of 32 inches (815 mm) minimum. Clear openings of doorways with swinging doors shall be measured between the face of the door and the stop, with the door open 90 degrees. Openings more than 24 inches (610 mm) deep shall provide a clear opening of 36 inches (915 mm) minimum. There shall be no projections into the required clear opening width lower than 34 inches (865 mm) above the finish floor or ground. Projections into the clear opening width between 34 inches (865 mm) and 80 inches (2030 mm) above the finish floor or ground shall not exceed 4 inches (100 mm).

Citation:

2010 ADAS Section: 404.2.3

Current

Condition:

31"

Budgeting Range:

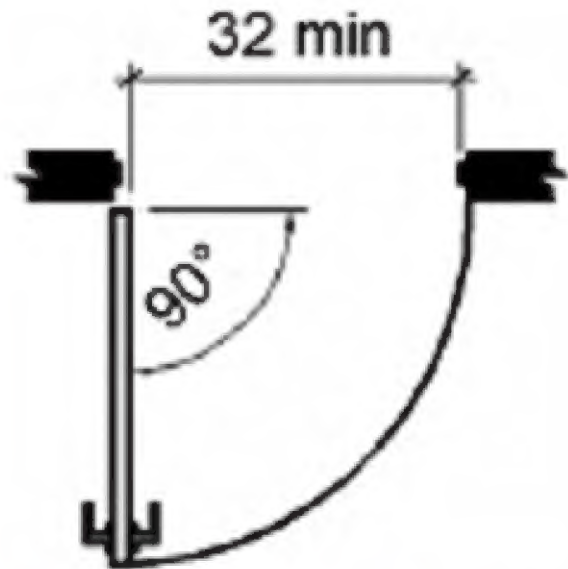
\$0.00 - \$0.00

Possible Solutions:

Modify door to provide a minimum 32" opening. Price included in Finding #17.

Barrier Priority:

6 (Medium): Access to goods and services (DOJ level 2) moderately out of compliance. Parking or exterior conditions (DOJ's level 1) – minimally out of compliance. Restrooms (DOJ level 3) – severely out of compliance.



Hinged Door or Gate

Finding #19 Additional Finding Photos



Municipal Courts - General

Finding: 20

The 6 room signs in the court office areas does not have compliant signage. None of the signage has Braille or tactile characters.

2010 ADAS Section 703.4.2

Where a tactile sign is provided at a door, the sign shall be located alongside the door at the latch side. Where a tactile sign is provided at double doors with one active leaf, the sign shall be located on the inactive leaf. Where a tactile sign is provided at double doors with two active leafs, the sign shall be located to the right of the right hand door. Where there is no wall space at the latch side of a single door or at the right side of double doors, signs shall be located on the nearest adjacent wall. Signs containing tactile characters shall be located so that a clear floor space of 18 inches (455 mm) minimum by 18 inches (455 mm) minimum, centered on the tactile characters, is provided beyond the arc of any door swing between the closed position and 45 degree open position.

Citation:

2010 ADAS Section: 703.4.2

Current

Condition:

6

Budgeting Range:

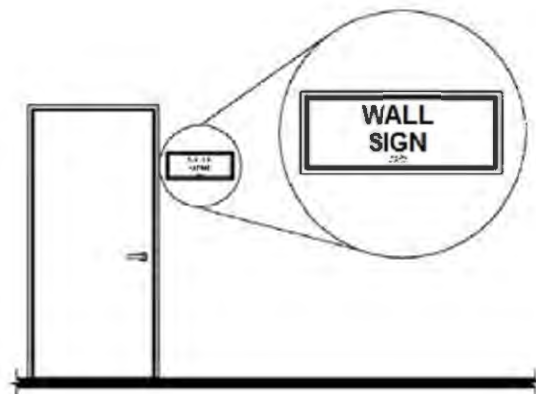
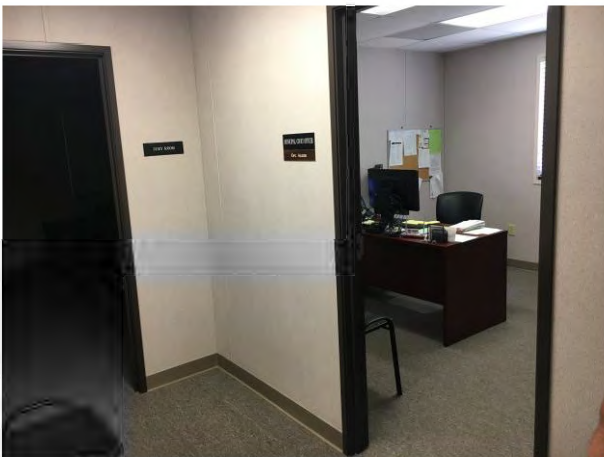
\$1000.00 - \$1500.00

Possible Solutions:

Install compliant signage with Braille and tactile characters on the latch side of the doors.

Barrier Priority:

6 (Medium): Access to goods and services (DOJ level 2) moderately out of compliance. Parking or exterior conditions (DOJ's level 1) – minimally out of compliance. Restrooms (DOJ level 3) – severely out of compliance.



Municipal Courts - General

Finding: 21

The door leading into the hallway from the file room only has a 16-5/8" maneuvering clearance on the pull side where a minimum of 18" is required.

2010 ADAS Section 404.2.4.1

Swinging doors and gates shall have maneuvering clearances complying with Table 404.2.4.1.

Citation:

2010 ADAS Section: 404.2.4.1

Current

Condition:

16-5/8"

Budgeting Range:

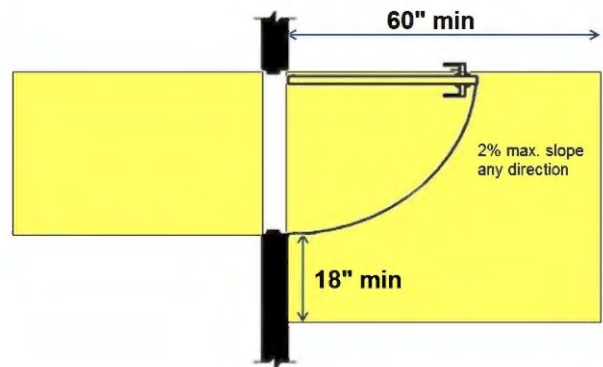
\$2000.00 - \$2500.00

Possible Solutions:

Reverse the swing of the door.

Barrier Priority:

9 (Low): Restrooms (DOJ level 3) – minimally out of compliance.



Finding #21 Additional Finding Photos



Municipal Courts - General

Finding: 22

The door leading from the file room into the clerk work area is equipped with both a closer and a latch and is recessed on the latch side greater than 8" deep. There is no latch side clearance within the alcove.

2010 ADAS Section 404.2.4.3

Maneuvering clearances for forward approach shall be provided when any obstruction within 18 inches (455 mm) of the latch side of a doorway projects more than 8 inches (205 mm) beyond the face of the door, measured perpendicular to the face of the door or gate.

Citation:

2010 ADAS Section: 404.2.4.3

Current

Condition:

20"

Budgeting Range:

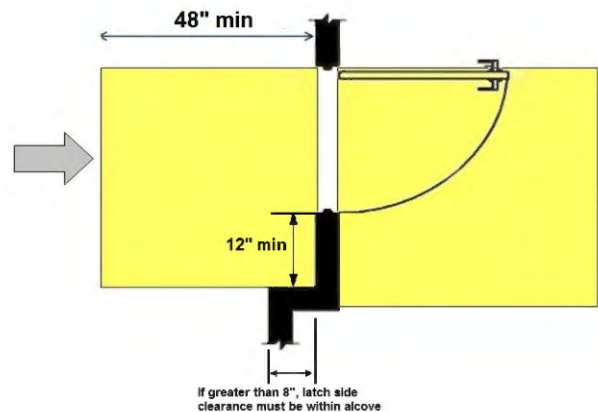
\$2000.00 - \$2500.00

Possible Solutions:

Modify door to provide the required maneuvering clearance or install an automatic door opening device.

Barrier Priority:

6 (Medium): Access to goods and services (DOJ level 2) moderately out of compliance. Parking or exterior conditions (DOJ's level 1) – minimally out of compliance. Restrooms (DOJ level 3) – severely out of compliance.



Municipal Courts - General

Finding: 23

The check-out transaction window at the Municipal Court counter by the courts is at 42-1/2" high.

2010 ADAS Section 904.4

Sales counters and service counters shall comply with 904.4.1 or 904.4.2. The accessible portion of the counter top shall extend the same depth as the sales or service counter top.

Citation:

2010 ADAS Section: 904.4

Current

Condition:

42-1/4"

Budgeting Range:

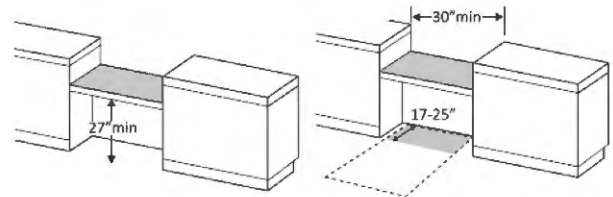
\$1500.00 - \$2000.00

Possible Solutions:

Modify counter to provide a 36" high accessible portion of counter.

Barrier Priority:

6 (Medium): Access to goods and services (DOJ level 2) moderately out of compliance. Parking or exterior conditions (DOJ's level 1) – minimally out of compliance. Restrooms (DOJ level 3) – severely out of compliance.



Finding #23 Additional Finding Photos



Municipal Courts - General

Finding: 24

There are 15 doors throughout the Municipal Courts area that have operating hardware that requires tight grasping, pinching or twisting of the wrist to operate.

2010 ADAS Section 309.4

Operable parts shall be operable with one hand and shall not require tight grasping, pinching, or twisting of the wrist. The force required to activate operable parts shall be 5 pounds (22.2 N) maximum.

Citation:

2010 ADAS Section: 309.4

Current

Condition:

N/A

Budgeting Range:

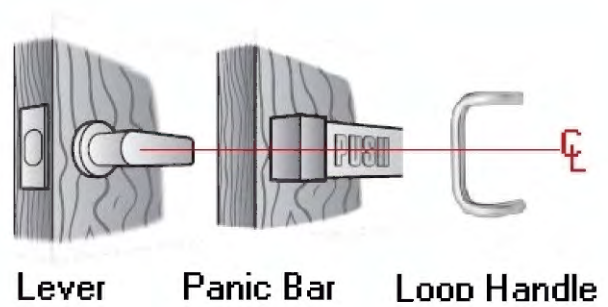
\$5000.00 - \$5600.00

Possible Solutions:

Replace with lever style door hardware.

Barrier Priority:

5 (Medium): Access to goods and services issues (DOJ level 2) - severely out of compliance.



Operating hardware must be centered between 34" and 44" above the floor or ground

Finding #24 Additional Finding Photos



Municipal Courts - General

Finding: 25

The door exceeds the maximum pressure of 5 pounds to open the door.

2010 ADAS Section 404.2.9

Fire doors shall have a minimum opening force allowable by the appropriate administrative authority. The force for pushing or pulling open a door or gate other than fire doors shall be as follows: 1. Interior hinged doors and gates: 5 pounds (22.2 N) maximum. 2. Sliding or folding doors: 5 pounds (22.2 N) maximum. These forces do not apply to the force required to retract latch bolts or disengage other devices that hold the door or gate in a closed position.

Citation:

2010 ADAS Section: 404.2.9

Current

Condition:

N/A

Budgeting Range:

\$100.00 - \$150.00

Possible Solutions:

Adjust closing mechanism.

Barrier Priority:

7 (Medium): Access to goods and services (DOJ level 2) minimally out of compliance. Restrooms (DOJ level 3) – Moderately out of compliance Drinking fountains or public phones (DOJ level 4 & 5) severely out of compliance.



Municipal Courts - Court Room

Finding: 26

There is no accessible route to the judges bench or the court reporting station, stair access only is provided.

2010 ADAS Section 206.2.4

At least one accessible route shall connect accessible building or facility entrances with all accessible spaces and elements within the building or facility which are otherwise connected by a circulation path unless exempted by 206.2.3 Exceptions 1 through 7.

2010 ADAS Section 808.2

Where provided, areas that are raised or depressed and accessed by ramps or platform lifts with entry ramps shall provide unobstructed turning space complying with 304.

Citation:

2010 ADAS Section: 206.2.4, 808.2

Current

Condition:

N/A

Budgeting Range:

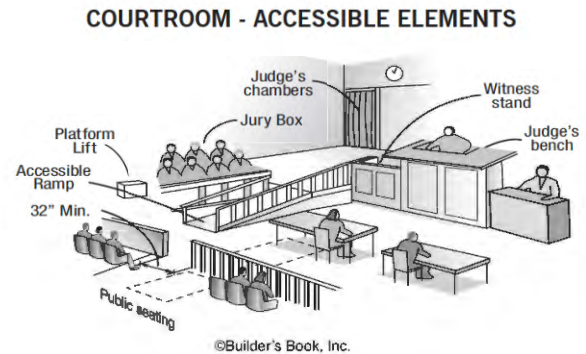
\$1500.00 - \$2000.00

Possible Solutions:

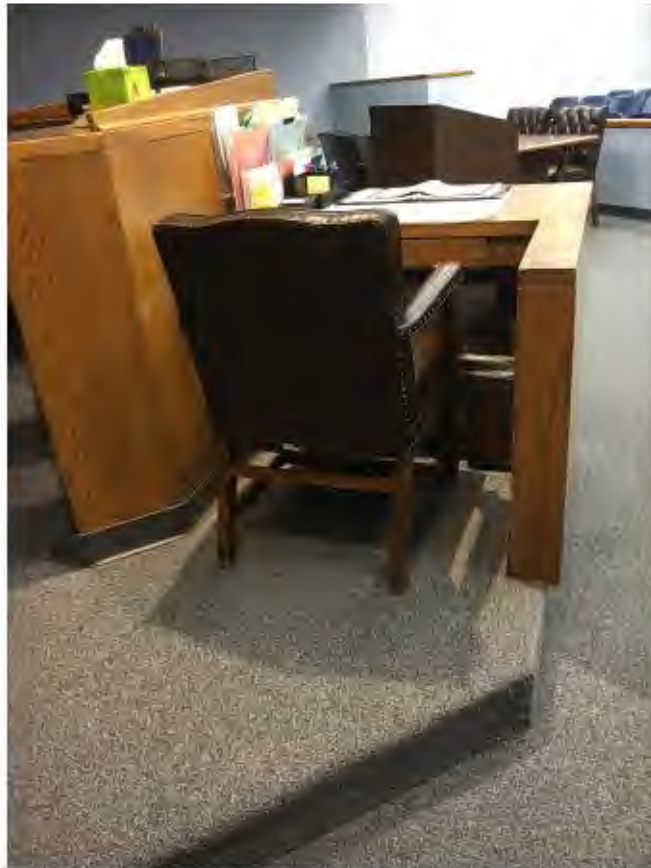
Provide an accessible route to both the judges bench and the court reporting area.

Barrier Priority:

11 (Low): Client is a Title II agency, elements are out of compliance but may be able to handled programmatically, or do not need to be handled unless or until they hire a person with a disability.



Finding #26 Additional Finding Photos



Municipal Courts - Court Room

Finding: 27

There is no accessible route to the witness stand or the jury box, both are served by steps.

2010 ADAS Section 808.2

Where provided, areas that are raised or depressed and accessed by ramps or platform lifts with entry ramps shall provide unobstructed turning space complying with 304.

2010 ADAS Section 808.3

Each jury box and witness stand shall have, within its defined area, clear floor space complying with 305.

Citation:

2010 ADAS Section: 808.2, 808.3

Current

Condition:

N/A

Budgeting Range:

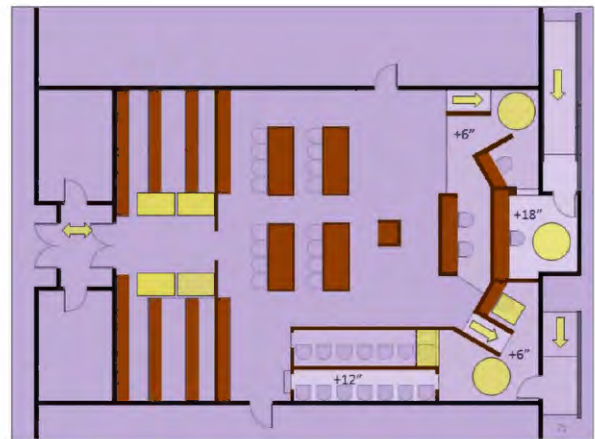
\$1500.00 - \$2000.00

Possible Solutions:

Provide an accessible route to the witness stand and the jury box.

Barrier Priority:

5 (Medium): Access to goods and services issues (DOJ level 2) - severely out of compliance.



Finding #27 Additional Finding Photos



Municipal Courts - Men's Restroom

Finding: 28

The door exceeds the maximum pressure of 5 pounds to open.

2010 ADAS Section 404.3

Automatic doors and automatic gates shall comply with 404.3. Full-powered automatic doors shall comply with ANSI/BHMA A156.10 (incorporated by reference, see "Referenced Standards" in Chapter 1). Low-energy and power-assisted doors shall comply with ANSI/BHMA A156.19 (1997 or 2002 edition) (incorporated by reference, see "Referenced Standards" in Chapter 1).

Citation:

2010 ADAS Section: 404.3

Current

Condition:

N/A

Budgeting Range:

\$100.00 - \$150.00

Possible Solutions:

Adjust closing mechanism.

Barrier Priority:

7 (Medium): Access to goods and services (DOJ level 2) minimally out of compliance. Restrooms (DOJ level 3) – Moderately out of compliance Drinking fountains or public phones (DOJ level 4 & 5) severely out of compliance.



Municipal Courts - Men's Restroom

Finding: 29

The centerline of the water closet is 18-1/2" from the sidewall.

2010 ADAS Section 604.2

The water closet shall be positioned with a wall or partition to the rear and to one side. The centerline of the water closet shall be 16 inches (405 mm) minimum to 18 inches (455 mm) maximum from the side wall or partition, except that the water closet shall be 17 inches (430 mm) minimum and 19 inches (485 mm) maximum from the side wall or partition in the ambulatory accessible toilet compartment specified in 604.8.2. Water closets shall be arranged for a left-hand or right-hand approach.

Citation:

2010 ADAS Section: 604.2

Current

Condition:

18-1/2"

Budgeting Range:

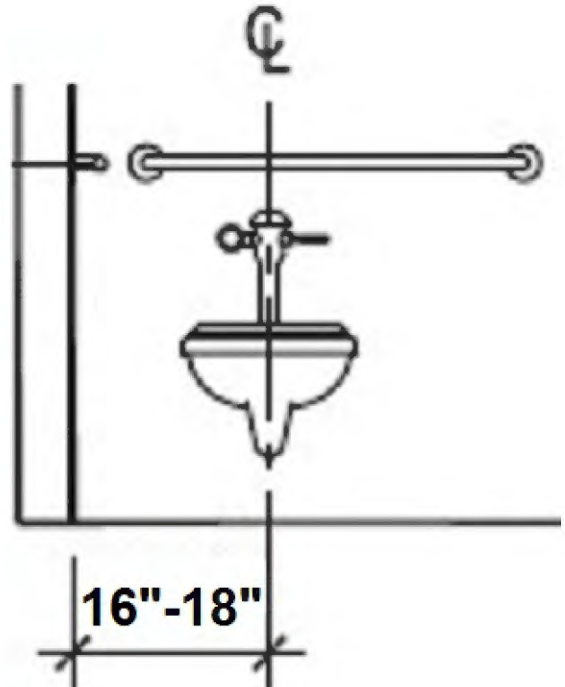
\$2000.00 - \$2500.00

Possible Solutions:

Relocate the water closet so the centerline is at 16"-18" from the side wall.

Barrier Priority:

9 (Low): Restrooms (DOJ level 3) – minimally out of compliance.



Municipal Courts - Men's Restroom

Finding: 30

The side and rear grab bars are 37" high to the top of the gripping surface.

2010 ADAS Section 609.4

Grab bars shall be installed in a horizontal position, 33 inches (840 mm) minimum and 36 inches (915 mm) maximum above the finish floor measured to the top of the gripping surface, except that at water closets for children's use complying with 604.9, grab bars shall be installed in a horizontal position 18 inches (455 mm) minimum and 27 inches (685 mm) maximum above the finish floor measured to the top of the gripping surface. The height of the lower grab bar on the back wall of a bathtub shall comply with 607.4.1.1 or 607.4.2.1.

Citation:

2010 ADAS Section: 609.4

Current

Condition:

37"

Budgeting Range:

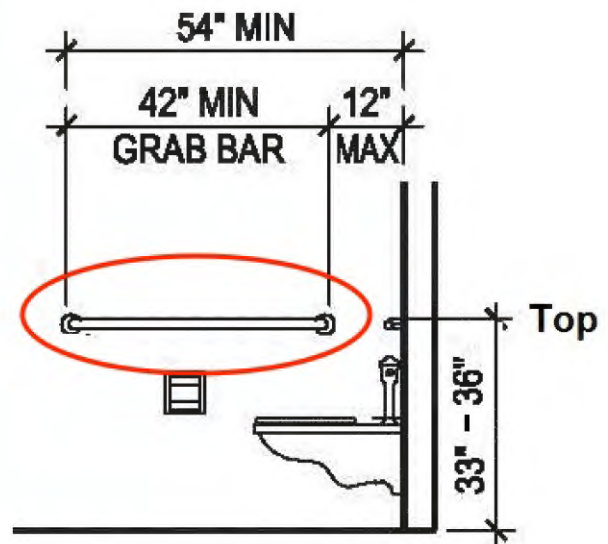
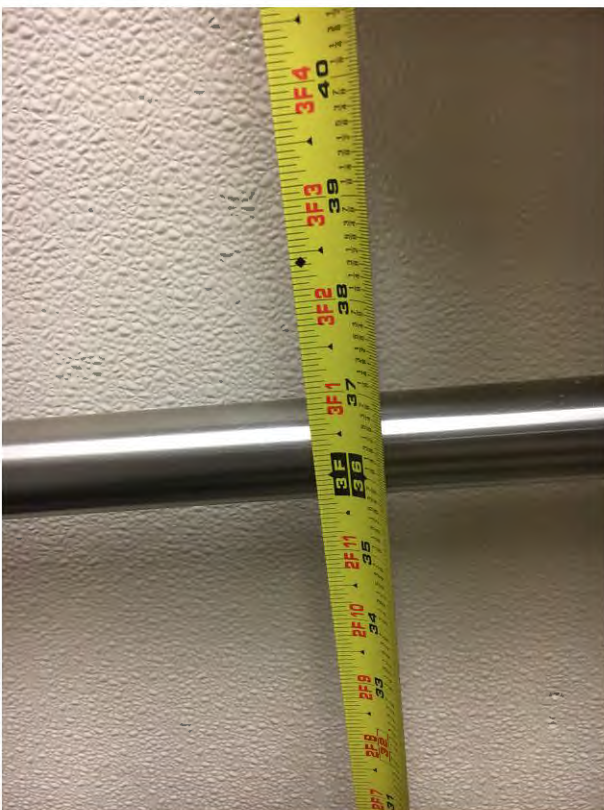
\$150.00 - \$250.00

Possible Solutions:

Lower grab bars so the top of the gripping surface is 33"-36".

Barrier Priority:

7 (Medium): Access to goods and services (DOJ level 2) minimally out of compliance. Restrooms (DOJ level 3) – Moderately out of compliance Drinking fountains or public phones (DOJ level 4 & 5) severely out of compliance.



Municipal Courts - Men's Restroom

Finding: 31

The toilet paper dispenser is mounted 6" above the side grab bar.

2010 ADAS Section 609.3

The space between the wall and the grab bar shall be 1 1/2 inches (38 mm). The space between the grab bar and projecting objects below and at the ends shall be 1 1/2 inches (38 mm) minimum. The space between the grab bar and projecting objects above shall be 12 inches (305 mm) minimum.

Citation:

2010 ADAS Section: 609.3

Current

Condition:

6"

Budgeting Range:

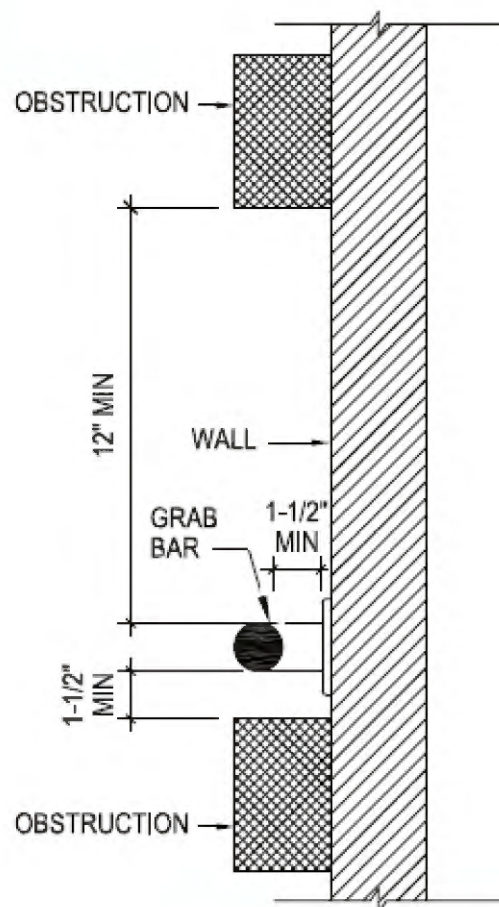
\$450.00 - \$500.00

Possible Solutions:

Relocate the toilet paper dispenser so it is a minimum of 12" above the side grab bar.

Barrier Priority:

6 (Medium): Access to goods and services (DOJ level 2) moderately out of compliance. Parking or exterior conditions (DOJ's level 1) – minimally out of compliance. Restrooms (DOJ level 3) – severely out of compliance.



Municipal Courts - Men's Restroom

Finding: 32

The mirror is mounted at 40-3/4" to the bottom of the reflective surface.

2010 ADAS Section 603.2
Clearances shall comply with 603.2.

Citation:

2010 ADAS Section: 603.2

Current Condition:

40-3/4"

Budgeting Range:

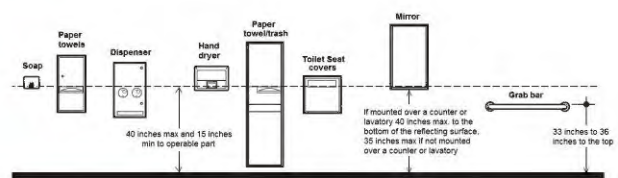
\$150.00 - \$200.00

Possible Solutions:

Lower mirror so the bottom of the reflective surface is no higher than 40" or install a full height mirror.

Barrier Priority:

7 (Medium): Access to goods and services (DOJ level 2) minimally out of compliance. Restrooms (DOJ level 3) – Moderately out of compliance Drinking fountains or public phones (DOJ level 4 & 5) severely out of compliance.



Municipal Courts - Men's Restroom

Finding: 33

The soap dispenser is mounted at 50" to the operation mechanism where a maximum of 48" is required.

2010 ADAS Section 308.2.1

Where a forward reach is unobstructed, the high forward reach shall be 48 inches (1220 mm) maximum and the low forward reach shall be 15 inches (380 mm) minimum above the finish floor or ground.

Citation:

2010 ADAS Section: 308.2.1

Current

Condition:

50"

Budgeting Range:

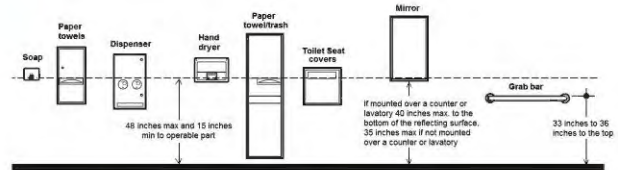
\$450.00 - \$500.00

Possible Solutions:

Lower soap dispenser so the highest operable part is at 48" above finished floor.

Barrier Priority:

7 (Medium): Access to goods and services (DOJ level 2) minimally out of compliance. Restrooms (DOJ level 3) – Moderately out of compliance Drinking fountains or public phones (DOJ level 4 & 5) severely out of compliance.



Municipal Courts - Men's Restroom

Finding: 34

The paint cans under the lavatory block the required knee and toe clearance.

2010 ADAS Section 606.2

A clear floor space complying with 305, positioned for a forward approach, and knee and toe clearance complying with 306 shall be provided.

Citation:

2010 ADAS Section: 606.2

Current

Condition:

N/A

Budgeting Range:

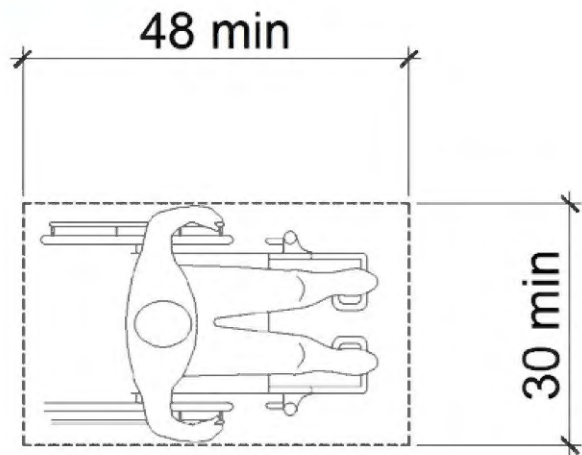
\$0.00 - \$0.00

Possible Solutions:

Relocate paint cans. There is no cost associated with this finding.

Barrier Priority:

9 (Low): Restrooms (DOJ level 3) – minimally out of compliance.



Municipal Courts - Women's Restroom

Finding: 35

The door exceeds the maximum pressure of 5 pounds to open.

2010 ADAS Section 404.2.9

Fire doors shall have a minimum opening force allowable by the appropriate administrative authority. The force for pushing or pulling open a door or gate other than fire doors shall be as follows: 1. Interior hinged doors and gates: 5 pounds (22.2 N) maximum. 2. Sliding or folding doors: 5 pounds (22.2 N) maximum. These forces do not apply to the force required to retract latch bolts or disengage other devices that hold the door or gate in a closed position.

Citation:

2010 ADAS Section: 404.2.9

Current

Condition:

N/A

Budgeting Range:

\$100.00 - \$150.00

Possible Solutions:

Adjust closing mechanism.

Barrier Priority:

7 (Medium): Access to goods and services (DOJ level 2) minimally out of compliance. Restrooms (DOJ level 3) – Moderately out of compliance Drinking fountains or public phones (DOJ level 4 & 5) severely out of compliance.



Municipal Courts - Women's Restroom

Finding: 36

The clear floor space around the toilet is obstructed by a storage container.

2010 ADAS Section 604.3.2

The required clearance around the water closet shall be permitted to overlap the water closet, associated grab bars, dispensers, sanitary napkin disposal units, coat hooks, shelves, accessible routes, clear floor space and clearances required at other fixtures, and the turning space. No other fixtures or obstructions shall be located within the required water closet clearance.

Citation:

2010 ADAS Section: 604.3.2

Current

Condition:

N/A

Budgeting Range:

\$0.00 - \$0.00

Possible Solutions:

Relocate the storage container. There is no cost associated with this finding.

Barrier Priority:

9 (Low): Restrooms (DOJ level 3) – minimally out of compliance.



Municipal Courts - Women's Restroom

Finding: 37

The side and rear grab bars are 36-3/4" high to the top of the gripping surface.

2010 ADAS Section 609.4

Grab bars shall be installed in a horizontal position, 33 inches (840 mm) minimum and 36 inches (915 mm) maximum above the finish floor measured to the top of the gripping surface, except that at water closets for children's use complying with 604.9, grab bars shall be installed in a horizontal position 18 inches (455 mm) minimum and 27 inches (685 mm) maximum above the finish floor measured to the top of the gripping surface. The height of the lower grab bar on the back wall of a bathtub shall comply with 607.4.1.1 or 607.4.2.1.

Citation:

2010 ADAS Section: 609.4

Current

Condition:

36-3/4"

Budgeting Range:

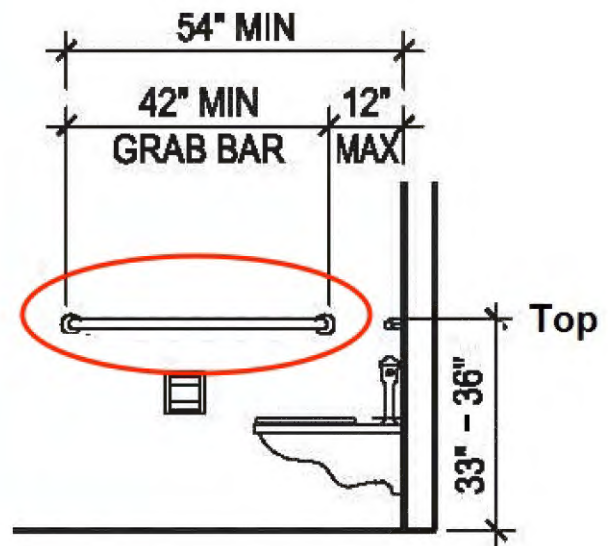
\$150.00 - \$250.00

Possible Solutions:

Lower grab bar so the top of the gripping surface is 33"-36" high.

Barrier Priority:

7 (Medium): Access to goods and services (DOJ level 2) minimally out of compliance. Restrooms (DOJ level 3) – Moderately out of compliance Drinking fountains or public phones (DOJ level 4 & 5) severely out of compliance.



Municipal Courts - Women's Restroom

Finding: 38

The toilet paper dispenser is mounted 7" above the side grab bar.

2010 ADAS Section 609.3

The space between the wall and the grab bar shall be 1 1/2 inches (38 mm). The space between the grab bar and projecting objects below and at the ends shall be 1 1/2 inches (38 mm) minimum. The space between the grab bar and projecting objects above shall be 12 inches (305 mm) minimum.

Citation:

2010 ADAS Section: 609.3

Current

Condition:

7"

Budgeting Range:

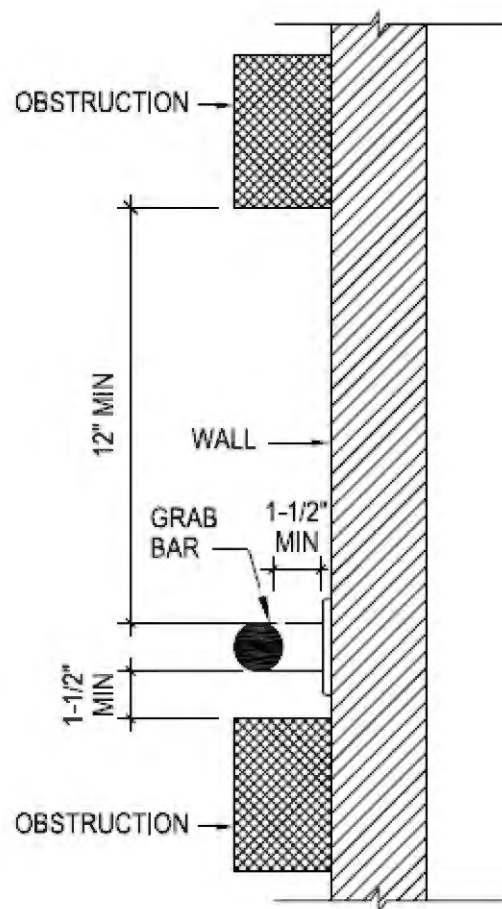
\$450.00 - \$500.00

Possible Solutions:

Relocate the toilet paper dispenser so it is a minimum of 12" above the side grab bar.

Barrier Priority:

6 (Medium): Access to goods and services (DOJ level 2) moderately out of compliance. Parking or exterior conditions (DOJ's level 1) – minimally out of compliance. Restrooms (DOJ level 3) – severely out of compliance.



Municipal Courts - Women's Restroom

Finding: 39

The water heater provided under the lavatory blocks the required toe clearance.

2010 ADAS Section 606.2

A clear floor space complying with 305, positioned for a forward approach, and knee and toe clearance complying with 306 shall be provided.

Citation:

2010 ADAS Section: 606.2

Current

Condition:

N/A

Budgeting Range:

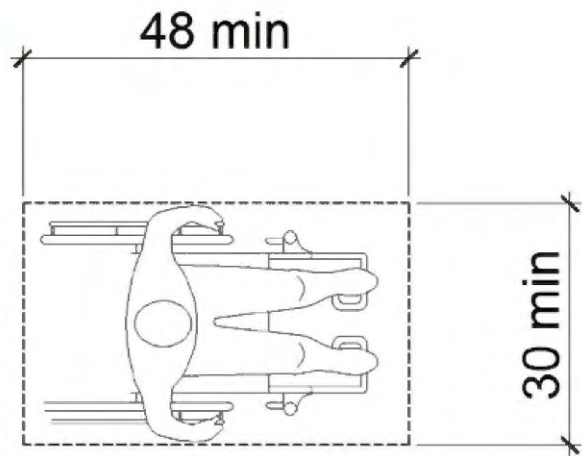
\$650.00 - \$700.00

Possible Solutions:

Relocate water heater to allow for the required clearance.

Barrier Priority:

6 (Medium): Access to goods and services (DOJ level 2) moderately out of compliance. Parking or exterior conditions (DOJ's level 1) – minimally out of compliance. Restrooms (DOJ level 3) – severely out of compliance.



Municipal Courts - Women's Restroom

Finding: 40

The mirror is mounted at 40-3/4" to the bottom of the reflective surface.

2010 ADAS Section 603.2
Clearances shall comply with 603.2.

Citation:

2010 ADAS Section: 603.2

Current Condition:

40-3/4"

Budgeting Range:

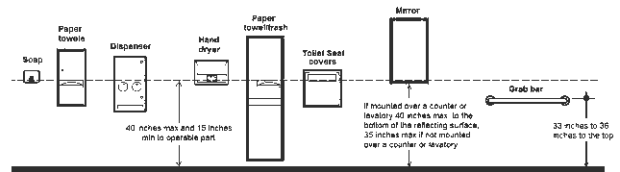
\$150.00 - \$200.00

Possible Solutions:

Lower mirror so the bottom of the reflective surface is no higher than 40" above finished floor or install a full height mirror.

Barrier Priority:

7 (Medium): Access to goods and services (DOJ level 2) minimally out of compliance. Restrooms (DOJ level 3) – Moderately out of compliance Drinking fountains or public phones (DOJ level 4 & 5) severely out of compliance.



Municipal Courts - Women's Restroom

Finding: 41

The soap dispenser is mounted at 50" to the operation mechanism where a maximum of 48" is required.

2010 ADAS Section 308.2.1

Where a forward reach is unobstructed, the high forward reach shall be 48 inches (1220 mm) maximum and the low forward reach shall be 15 inches (380 mm) minimum above the finish floor or ground.

Citation:

2010 ADAS Section: 308.2.1

Current

Condition:

50"

Budgeting Range:

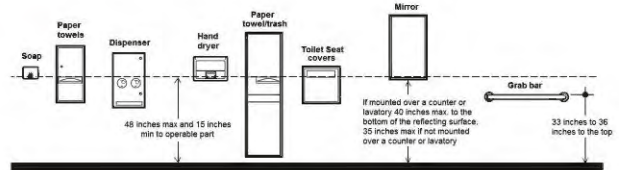
\$450.00 - \$500.00

Possible Solutions:

Lower soap dispenser so the highest operable part is at 48" above finished floor.

Barrier Priority:

9 (Low): Restrooms (DOJ level 3) – minimally out of compliance.



Municipal Courts - Judge's Restroom

Finding: 42

The operating hardware is not accessible because it requires tight grasping, pinching or twisting of the wrist to operate.

2010 ADAS Section 309.4

Operable parts shall be operable with one hand and shall not require tight grasping, pinching, or twisting of the wrist. The force required to activate operable parts shall be 5 pounds (22.2 N) maximum.

Citation:

2010 ADAS Section: 309.4

Current

Condition:

N/A

Budgeting Range:

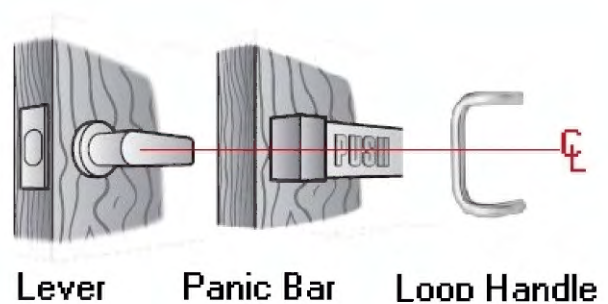
\$350.00 - \$375.00

Possible Solutions:

Replace with lever style door hardware.

Barrier Priority:

5 (Medium): Access to goods and services issues (DOJ level 2) - severely out of compliance.



Operating hardware must be centered between 34" and 44" above the floor or ground

Municipal Courts - Judge's Restroom

Finding: 43

The door into the restroom provides only 29" clear width.

2010 ADAS Section 404.2.3

Door openings shall provide a clear width of 32 inches (815 mm) minimum. Clear openings of doorways with swinging doors shall be measured between the face of the door and the stop, with the door open 90 degrees. Openings more than 24 inches (610 mm) deep shall provide a clear opening of 36 inches (915 mm) minimum. There shall be no projections into the required clear opening width lower than 34 inches (865 mm) above the finish floor or ground. Projections into the clear opening width between 34 inches (865 mm) and 80 inches (2030 mm) above the finish floor or ground shall not exceed 4 inches (100 mm).

Citation:

2010 ADAS Section: 404.2.3

Current

Condition:

29"

Budgeting Range:

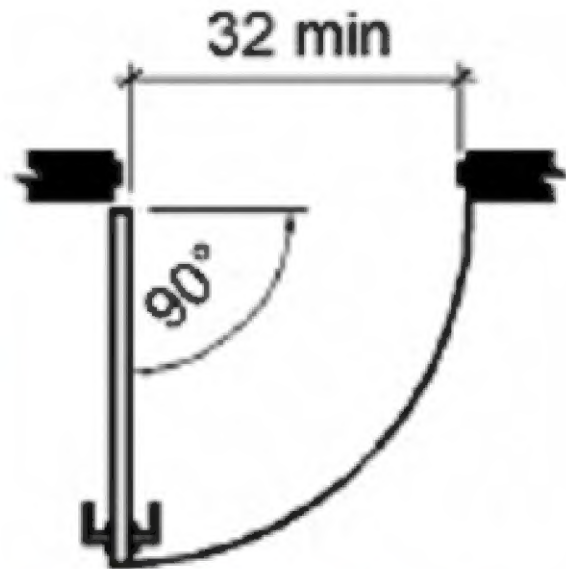
\$2000.00 - \$2500.00

Possible Solutions:

Modify door to provide a minimum 32" clear opening.

Barrier Priority:

6 (Medium): Access to goods and services (DOJ level 2) moderately out of compliance. Parking or exterior conditions (DOJ's level 1) – minimally out of compliance. Restrooms (DOJ level 3) – severely out of compliance.



Hinged Door or Gate

Finding #44 Additional Finding Photos



Municipal Courts - Breakroom

Finding: 45

The break room counter at the sink is 36" high where 34" maximum is required.

2010 ADAS Section 606.3

Lavatories and sinks shall be installed with the front of the higher of the rim or counter surface 34 inches (865 mm) maximum above the finish floor or ground.

Citation:

2010 ADAS Section: 606.3

Current

Condition:

36"

Budgeting Range:

\$1500.00 - \$2000.00

Possible Solutions:

Modify the counter at the sink to provide 34" maximum height.

Barrier Priority:

7 (Medium): Access to goods and services (DOJ level 2) minimally out of compliance. Restrooms (DOJ level 3) – Moderately out of compliance Drinking fountains or public phones (DOJ level 4 & 5) severely out of compliance.



Finding #45 Additional Finding Photos



Municipal Courts - Breakroom

Finding: 46

The table in the break room blocks access to the refrigerator and the microwave.

2010 ADAS Section 305.3

The clear floor or ground space shall be 30 inches (760 mm) minimum by 48 inches (1220 mm) minimum

Citation:

2010 ADAS Section: 305.3

Current

Condition:

N/A

Budgeting Range:

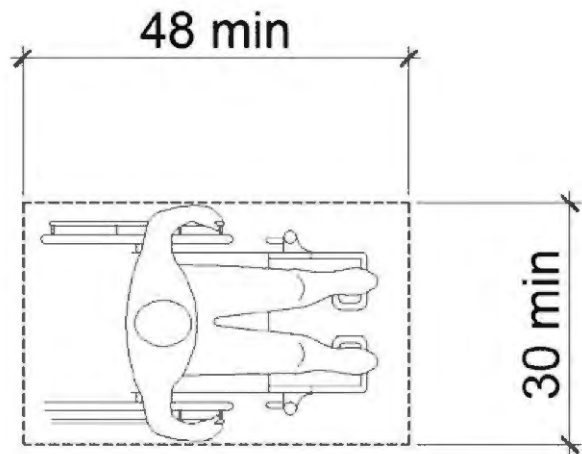
\$0.00 - \$0.00

Possible Solutions:

Re-arrange the break room so that each amenity provided is accessible with the required clear floor space. There is no cost associated with this finding.

Barrier Priority:

11 (Low): Client is a Title II agency, elements are out of compliance but may be able to handled programmatically, or do not need to be handled unless or until they hire a person with a disability.



Police Station - General

Finding: 47

The transaction counter at the police station is 40-3/8" high.

2010 ADAS Section 904.4.1

A portion of the counter surface that is 36 inches (915 mm) long minimum and 36 inches (915 mm) high maximum above the finish floor shall be provided. A clear floor or ground space complying with 305 shall be positioned for a parallel approach adjacent to the 36 inch (915 mm) minimum length of counter.

Citation:

2010 ADAS Section: 904.4.1

Current

Condition:

40-3/8"

Budgeting Range:

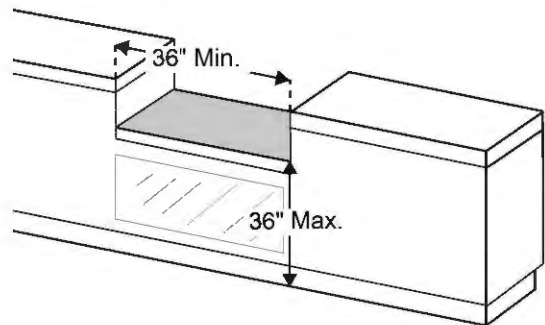
\$1500.00 - \$2000.00

Possible Solutions:

Modify counter to provide one of the transaction windows so it is no higher than 36" above finished floor.

Barrier Priority:

5 (Medium): Access to goods and services issues (DOJ level 2) - severely out of compliance.



Finding #47 Additional Finding Photos



Police Station - General

Finding: 48

The counter on which the phone is sitting is 40-3/8" high resulting in the phone being out of the required each range for a side approach.

2010 ADAS Section 308.3.2

Where a clear floor or ground space allows a parallel approach to an element and the high side reach is over an obstruction, the height of the obstruction shall be 34 inches (865 mm) maximum and the depth of the obstruction shall be 24 inches (610 mm) maximum. The high side reach shall be 48 inches (1220 mm) maximum for a reach depth of 10 inches (255 mm) maximum. Where the reach depth exceeds 10 inches (255 mm), the high side reach shall be 46 inches (1170 mm) maximum for a reach depth of 24 inches (610 mm) maximum

Citation:

2010 ADAS Section: 308.3.2

Current

Condition:

40-3/8"

Budgeting Range:

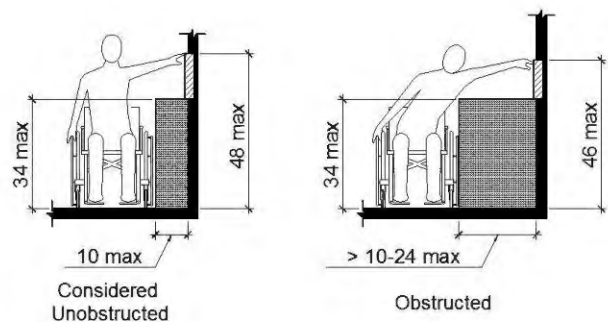
\$0.00 - \$0.00

Possible Solutions:

Relocate phone to a location where it is within the required reach range. There is no cost associated with this finding.

Barrier Priority:

7 (Medium): Access to goods and services (DOJ level 2) minimally out of compliance. Restrooms (DOJ level 3) – Moderately out of compliance Drinking fountains or public phones (DOJ level 4 & 5) severely out of compliance.



Finding #48 Additional Finding Photos



Police Station - General

Finding: 49

There is not an 18" maneuvering clearance on the pull side of the main door leading from the lobby to the back area. Additionally, there is a second door leading to the back area that does not have the minimum 18" maneuvering clearances on the pull side.

2010 ADAS Section 404.2.4.1

Swinging doors and gates shall have maneuvering clearances complying with Table 404.2.4.1.

Citation:

2010 ADAS Section: 404.2.4.1

Current

Condition:

N/A

Budgeting Range:

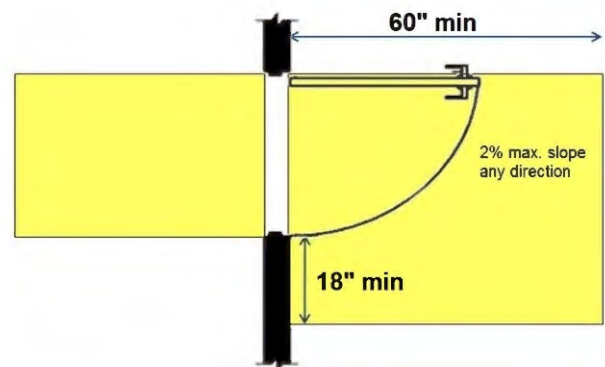
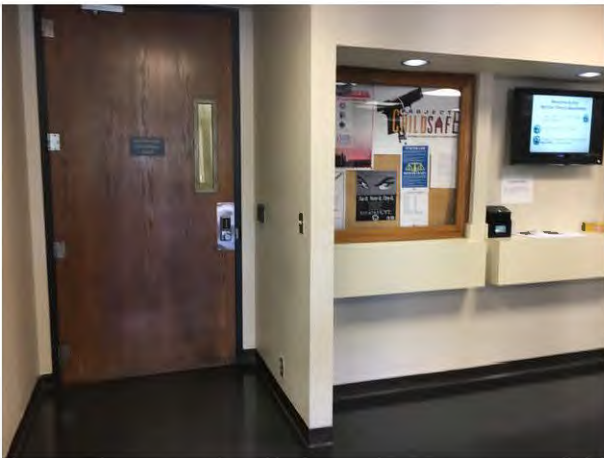
\$4500.00 - \$5000.00

Possible Solutions:

Add automatic door opening devices on both doors.

Barrier Priority:

6 (Medium): Access to goods and services (DOJ level 2) moderately out of compliance. Parking or exterior conditions (DOJ's level 1) – minimally out of compliance. Restrooms (DOJ level 3) – severely out of compliance.



Finding #49 Additional Finding Photos



Police Station - General

Finding: 50

The main door leading from the lobby to a short hallway and the door at the end of that hallway both require more than 5 pounds of pressure to operate.

2010 ADAS Section 404.2.9

Fire doors shall have a minimum opening force allowable by the appropriate administrative authority. The force for pushing or pulling open a door or gate other than fire doors shall be as follows: 1. Interior hinged doors and gates: 5 pounds (22.2 N) maximum. 2. Sliding or folding doors: 5 pounds (22.2 N) maximum. These forces do not apply to the force required to retract latch bolts or disengage other devices that hold the door or gate in a closed position.

Citation:

2010 ADAS Section: 404.2.9

Current

Condition:

N/A

Budgeting Range:

\$150.00 - \$200.00

Possible Solutions:

Adjust closing mechanisms.

Barrier Priority:

7 (Medium): Access to goods and services (DOJ level 2) minimally out of compliance. Restrooms (DOJ level 3) – Moderately out of compliance Drinking fountains or public phones (DOJ level 4 & 5) severely out of compliance.



Finding #50 Additional Finding Photos



Police Station - General

Finding: 51

There are 80 doors throughout the police station that require tight grasping or twisting of the wrist to operate.

2010 ADAS Section 309.4

Operable parts shall be operable with one hand and shall not require tight grasping, pinching, or twisting of the wrist. The force required to activate operable parts shall be 5 pounds (22.2 N) maximum.

Citation:

2010 ADAS Section: 309.4

Current

Condition:

N/A

Budgeting Range:

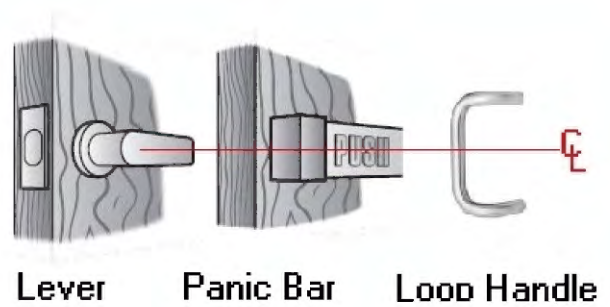
\$25000.00 - \$30000.00

Possible Solutions:

Replace with lever style door hardware.

Barrier Priority:

5 (Medium): Access to goods and services issues (DOJ level 2) - severely out of compliance.



Operating hardware must be centered between 34" and 44" above the floor or ground

Police Station - General

Finding: 52

There are approximately 38 signs designating permanent rooms throughout the police station that are mounted on the doors and do not have Braille or tactile characters provided.

2010 ADAS Section 703.4.1

Tactile characters on signs shall be located 48 inches (1220 mm) minimum above the finish floor or ground surface, measured from the baseline of the lowest tactile character and 60 inches (1525 mm) maximum above the finish floor or ground surface, measured from the baseline of the highest tactile character.

Citation:

2010 ADAS Section: 703.4.1

Current

Condition:

N/A

Budgeting Range:

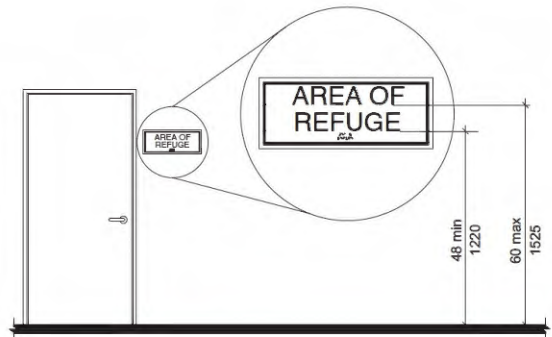
\$9000.00 - \$9500.00

Possible Solutions:

Provide signage with Braille and tactile characters on the the latch side of the doors.

Barrier Priority:

6 (Medium): Access to goods and services (DOJ level 2) moderately out of compliance. Parking or exterior conditions (DOJ's level 1) – minimally out of compliance. Restrooms (DOJ level 3) – severely out of compliance.



Finding #52 Additional Finding Photos



Police Station - General

Finding: 53

The door openings for the small offices inside the main office for Lisa Tullius provide only 31" and 29" clear width.

2010 ADAS Section 404.2.3

Door openings shall provide a clear width of 32 inches (815 mm) minimum. Clear openings of doorways with swinging doors shall be measured between the face of the door and the stop, with the door open 90 degrees. Openings more than 24 inches (610 mm) deep shall provide a clear opening of 36 inches (915 mm) minimum. There shall be no projections into the required clear opening width lower than 34 inches (865 mm) above the finish floor or ground. Projections into the clear opening width between 34 inches (865 mm) and 80 inches (2030 mm) above the finish floor or ground shall not exceed 4 inches (100 mm).

Citation:

2010 ADAS Section: 404.2.3

Current

Condition:

31" & 29"

Budgeting Range:

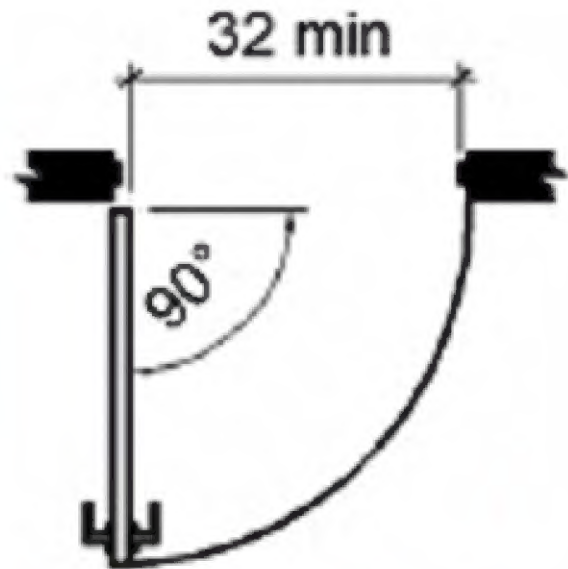
\$4500.00 - \$5000.00

Possible Solutions:

Modify door openings to achieve a minimum 32" opening.

Barrier Priority:

11 (Low): Client is a Title II agency, elements are out of compliance but may be able to handled programmatically, or do not need to be handled unless or until they hire a person with a disability.



Hinged Door or Gate

Finding #53 Additional Finding Photos



Police Station - General

Finding: 54

The main door into Lisa Tullius's office and the interior door leading to the back office area only have 3-1/2" and 11-1/2" maneuvering clearance on the pull side of the door.

2010 ADAS Section 404.2.4.1

Swinging doors and gates shall have maneuvering clearances complying with Table 404.2.4.1.

Citation:

2010 ADAS Section: 404.2.4.1

Current

Condition:

3-1/2" & 11-1/2"

Budgeting Range:

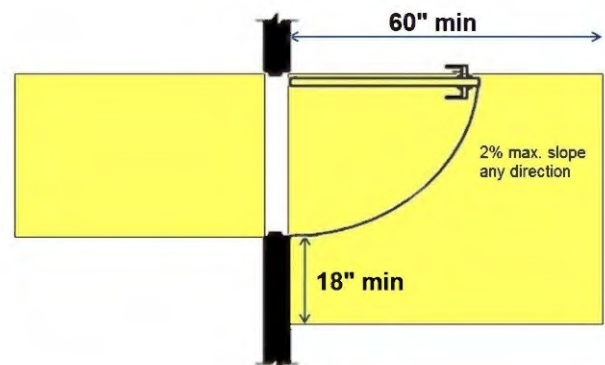
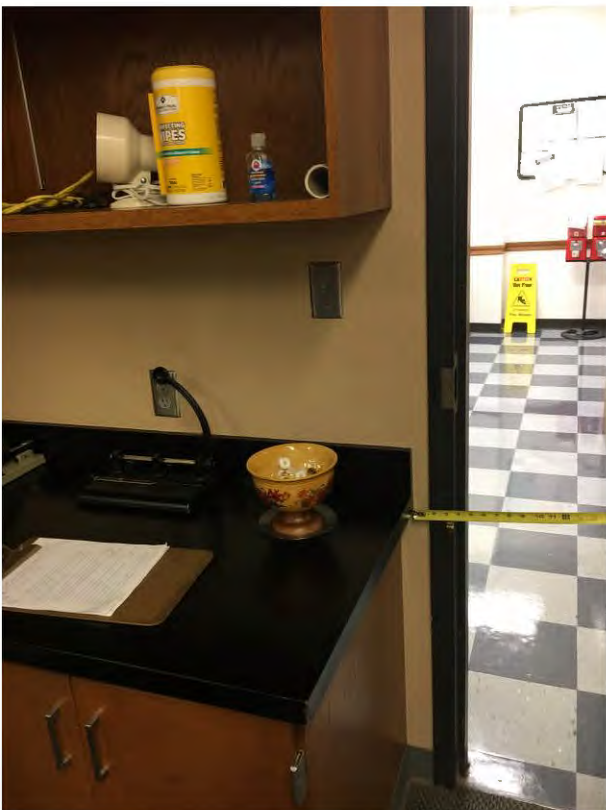
\$4500.00 - \$5000.00

Possible Solutions:

Modify doors or where possible, reverse the swing of the door to achieve a 18" minimum maneuvering clearance on the pull side.

Barrier Priority:

7 (Medium): Access to goods and services (DOJ level 2) minimally out of compliance. Restrooms (DOJ level 3) – Moderately out of compliance Drinking fountains or public phones (DOJ level 4 & 5) severely out of compliance.



Finding #54 Additional Finding Photos



Police Station - General

Finding: 55

There is only a 25-3/4" knee clearance under the low accessible drinking fountain.

2010 ADAS Section 602.2

Units shall have a clear floor or ground space complying with 305 positioned for a forward approach and centered on the unit. Knee and toe clearance complying with 306 shall be provided.

Citation:

2010 ADAS Section: 602.2

Current

Condition:

25-3/4"

Budgeting Range:

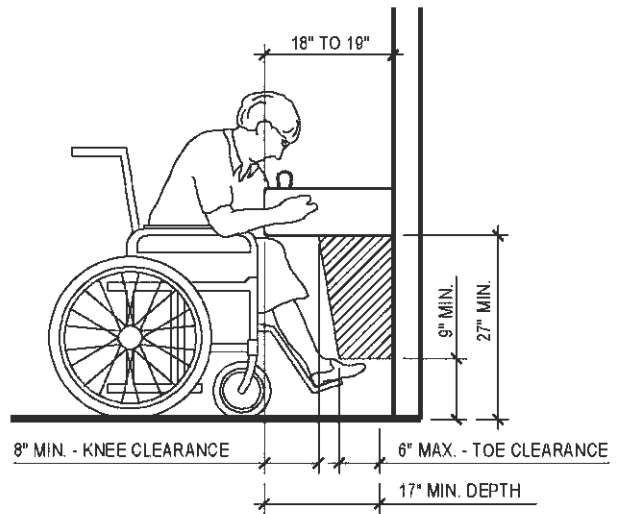
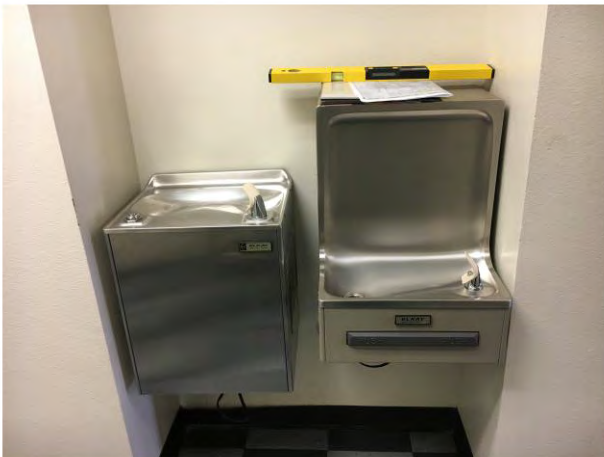
\$650.00 - \$700.00

Possible Solutions:

Raise the low accessible drinking fountain to provide a minimum of 27" knee clearance.

Barrier Priority:

5 (Medium): Access to goods and services issues (DOJ level 2) - severely out of compliance.



Finding #55 Additional Finding Photos



Police Station - General

Finding: 56

There is only a 12" maneuvering clearance on the pull side of the door for Jim Maisano's office.

2010 ADAS Section 404.2.4.1

Swinging doors and gates shall have maneuvering clearances complying with Table 404.2.4.1.

Citation:

2010 ADAS Section: 404.2.4.1

Current

Condition:

N/A

Budgeting Range:

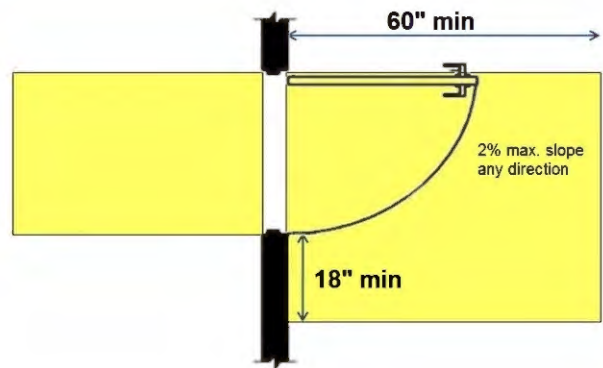
\$2000.00 - \$2500.00

Possible Solutions:

Modify door to provide a minimum 18" maneuvering clearance or reverse the swing of the door.

Barrier Priority:

11 (Low): Client is a Title II agency, elements are out of compliance but may be able to handled programmatically, or do not need to be handled unless or until they hire a person with a disability.



Police Station - General

Finding: 57

There is only a 6" maneuvering clearance on the pull side of the door when exiting the gear storage room.

2010 ADAS Section 404.2.4.1

Swinging doors and gates shall have maneuvering clearances complying with Table 404.2.4.1.

Citation:

2010 ADAS Section: 404.2.4.1

Current

Condition:

6"

Budgeting Range:

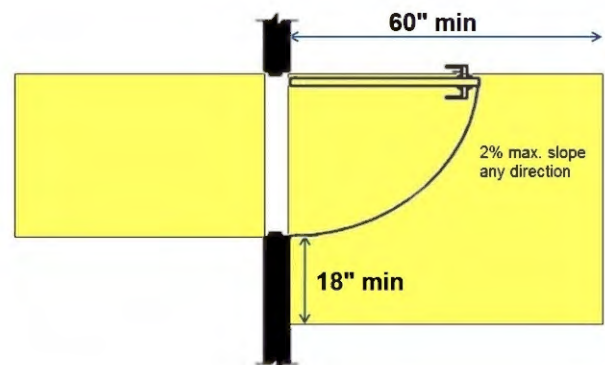
\$2000.00 - \$2500.00

Possible Solutions:

Modify door to provide a minimum 18" maneuvering clearance or if possible, reverse the swing of the door.

Barrier Priority:

7 (Medium): Access to goods and services (DOJ level 2) minimally out of compliance. Restrooms (DOJ level 3) – Moderately out of compliance Drinking fountains or public phones (DOJ level 4 & 5) severely out of compliance.



Finding #57 Additional Finding Photos



Police Station - General

Finding: 58

There is only a 7" maneuvering clearance on the pull side of the door leading into the dispatch office.

2010 ADAS Section 404.2.4.1

Swinging doors and gates shall have maneuvering clearances complying with Table 404.2.4.1.

Citation:

2010 ADAS Section: 404.2.4.1

Current

Condition:

7"

Budgeting Range:

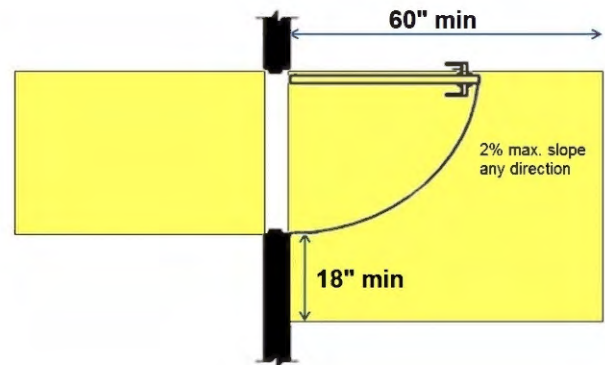
\$2000.00 - \$2500.00

Possible Solutions:

Modify door to provide a minimum 18" maneuvering clearance or if possible, reverse the swing of the door.

Barrier Priority:

7 (Medium): Access to goods and services (DOJ level 2) minimally out of compliance. Restrooms (DOJ level 3) – Moderately out of compliance Drinking fountains or public phones (DOJ level 4 & 5) severely out of compliance.



Police Station - General

Finding: 59

The suggestion box projects 7-1/2" into the circulation path at 46-7/8" above finished floor.

2010 ADAS Section 307.2

Objects with leading edges more than 27 inches (685 mm) and not more than 80 inches (2030 mm) above the finish floor or ground shall protrude 4 inches (100 mm) maximum horizontally into the circulation path.

Citation:

2010 ADAS Section: 307.2

Current

Condition:

N/A

Budgeting Range:

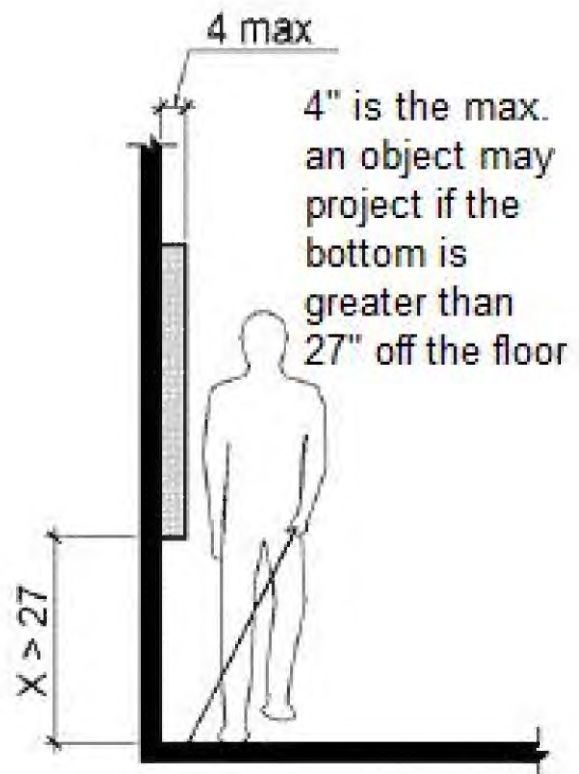
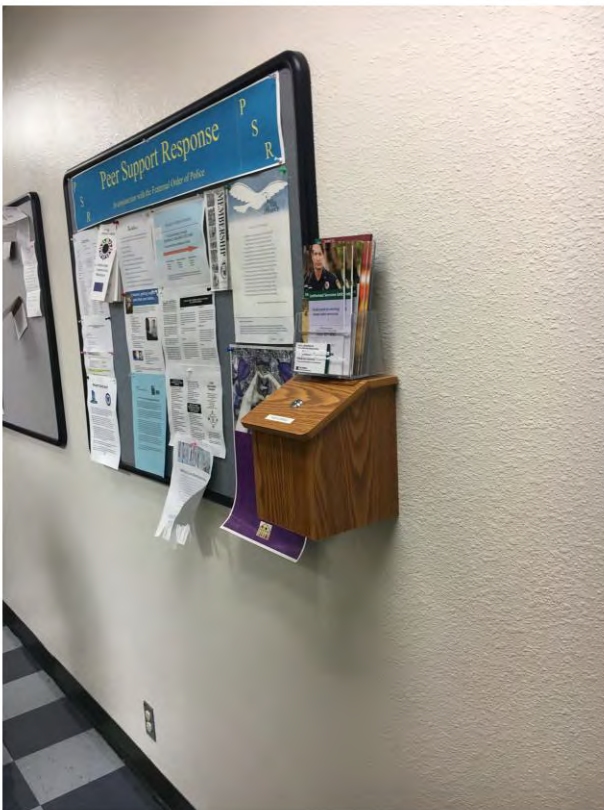
\$100.00 - \$150.00

Possible Solutions:

Relocate box to a location that is not in the circulation path or replace the box with a unit that only extends 4" from the wall.

Barrier Priority:

7 (Medium): Access to goods and services (DOJ level 2) minimally out of compliance. Restrooms (DOJ level 3) – Moderately out of compliance Drinking fountains or public phones (DOJ level 4 & 5) severely out of compliance.



Finding #59 Additional Finding Photos



Finding #59 Additional Finding Photos



Police Station - General

Finding: 60

The transaction counter at the dispatch area is 49" high and does not provide an accessible length of counter.

2010 ADAS Section 904.4.1

A portion of the counter surface that is 36 inches (915 mm) long minimum and 36 inches (915 mm) high maximum above the finish floor shall be provided. A clear floor or ground space complying with 305 shall be positioned for a parallel approach adjacent to the 36 inch (915 mm) minimum length of counter.

Citation:

2010 ADAS Section: 904.4.1

Current

Condition:

49"

Budgeting Range:

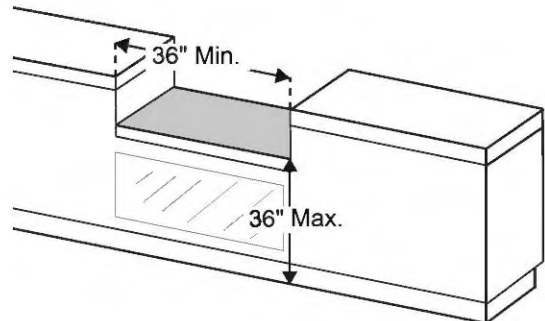
\$1500.00 - \$2000.00

Possible Solutions:

Modify counter to provide at 36" high portion of the counter.

Barrier Priority:

11 (Low): Client is a Title II agency, elements are out of compliance but may be able to handled programmatically, or do not need to be handled unless or until they hire a person with a disability.



Finding #60 Additional Finding Photos



Police Station - General

Finding: 61

There is only a 12" maneuvering clearance on the pull side of the door near Records.

2010 ADAS Section 404.2.4.1

Swinging doors and gates shall have maneuvering clearances complying with Table 404.2.4.1.

Citation:

2010 ADAS Section: 404.2.4.1

Current

Condition:

12"

Budgeting Range:

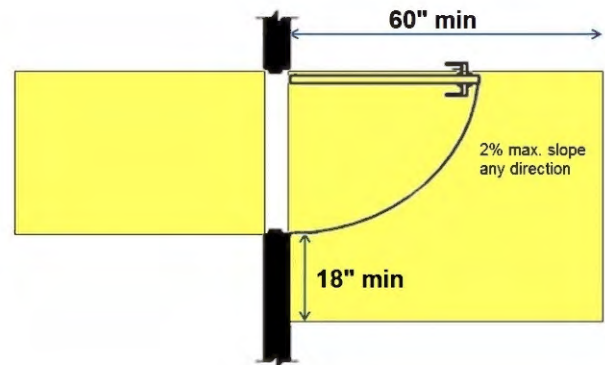
\$2000.00 - \$2500.00

Possible Solutions:

Modify door to provide a minimum 18" maneuvering clearance or if possible, reverse the swing of the door.

Barrier Priority:

7 (Medium): Access to goods and services (DOJ level 2) minimally out of compliance. Restrooms (DOJ level 3) – Moderately out of compliance Drinking fountains or public phones (DOJ level 4 & 5) severely out of compliance.



Police Station - General

Finding: 62

There is only a 12" maneuvering clearance on the pull side of the door to Lt. Robertson's office.

2010 ADAS Section 404.2.4.1

Swinging doors and gates shall have maneuvering clearances complying with Table 404.2.4.1.

Citation:

2010 ADAS Section: 404.2.4.1

Current

Condition:

12"

Budgeting Range:

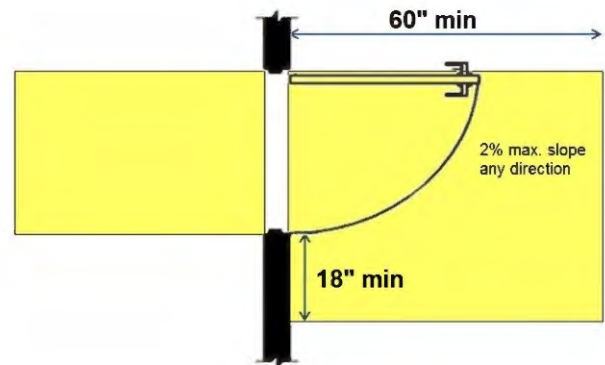
\$2000.00 - \$2500.00

Possible Solutions:

Modify door to provide a minimum 18" maneuvering clearance or if possible, reverse the swing of the door.

Barrier Priority:

7 (Medium): Access to goods and services (DOJ level 2) minimally out of compliance. Restrooms (DOJ level 3) – Moderately out of compliance Drinking fountains or public phones (DOJ level 4 & 5) severely out of compliance.



Police Station - General

Finding: 63

There is no accessible route to the raised area in the training room.

2010 ADAS Section 206.2.2

At least one accessible route shall connect accessible buildings, accessible facilities, accessible elements, and accessible spaces that are on the same site.

Citation:

2010 ADAS Section: 206.2.2

Current

Condition:

N/A

Budgeting Range:

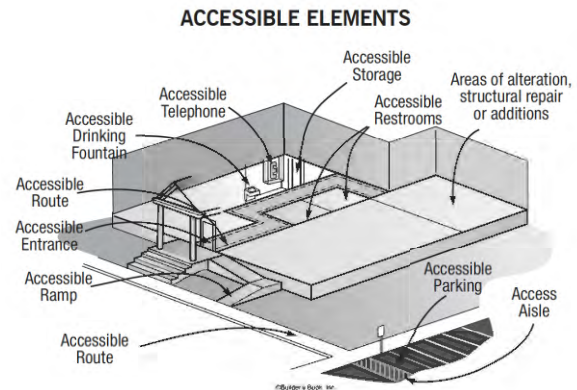
\$1500.00 - \$2000.00

Possible Solutions:

Provide access to the raised area.

Barrier Priority:

11 (Low): Client is a Title II agency, elements are out of compliance but may be able to handled programmatically, or do not need to be handled unless or until they hire a person with a disability.



Police Station - Men's Restroom

Finding: 64

The Men's restroom sign is mounted on the door. There are no tactile characters or Braille provided.

2010 ADAS Section 703.4.2

Where a tactile sign is provided at a door, the sign shall be located alongside the door at the latch side. Where a tactile sign is provided at double doors with one active leaf, the sign shall be located on the inactive leaf. Where a tactile sign is provided at double doors with two active leaves, the sign shall be located to the right of the right hand door. Where there is no wall space at the latch side of a single door or at the right side of double doors, signs shall be located on the nearest adjacent wall. Signs containing tactile characters shall be located so that a clear floor space of 18 inches (455 mm) minimum by 18 inches (455 mm) minimum, centered on the tactile characters, is provided beyond the arc of any door swing between the closed position and 45 degree open position.

Citation:

2010 ADAS Section: 703.4.2

Current

Condition:

N/A

Budgeting Range:

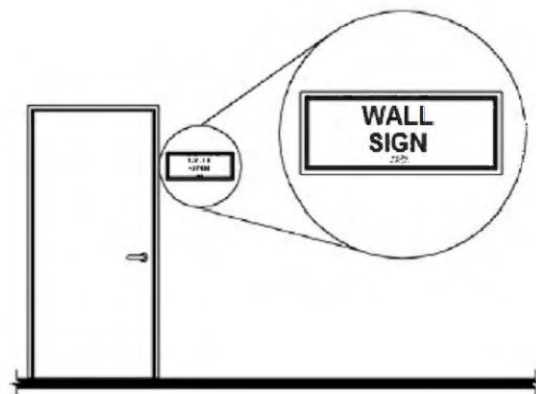
\$200.00 - \$250.00

Possible Solutions:

Install compliant signage with Braille and tactile characters on the latch side of the door.

Barrier Priority:

6 (Medium): Access to goods and services (DOJ level 2) moderately out of compliance. Parking or exterior conditions (DOJ's level 1) – minimally out of compliance. Restrooms (DOJ level 3) – severely out of compliance.



Police Station - Men's Restroom

Finding: 65

The door exceeds the maximum 5 pounds of pressure to open.

2010 ADAS Section 404.2.9

Fire doors shall have a minimum opening force allowable by the appropriate administrative authority. The force for pushing or pulling open a door or gate other than fire doors shall be as follows: 1. Interior hinged doors and gates: 5 pounds (22.2 N) maximum. 2. Sliding or folding doors: 5 pounds (22.2 N) maximum. These forces do not apply to the force required to retract latch bolts or disengage other devices that hold the door or gate in a closed position.

Citation:

2010 ADAS Section: 404.2.9

Current

Condition:

N/A

Budgeting Range:

\$100.00 - \$150.00

Possible Solutions:

Adjust closing mechanism.

Barrier Priority:

7 (Medium): Access to goods and services (DOJ level 2) minimally out of compliance. Restrooms (DOJ level 3) – Moderately out of compliance Drinking fountains or public phones (DOJ level 4 & 5) severely out of compliance.



Police Station - Men's Restroom

Finding: 66

There is only a 2" maneuvering clearance on the pull side of the door to exit the Men's restroom where a minimum of 18" is required.

2010 ADAS Section 404.2.4.1

Swinging doors and gates shall have maneuvering clearances complying with Table 404.2.4.1.

Citation:

2010 ADAS Section: 404.2.4.1

Current

Condition:

2"

Budgeting Range:

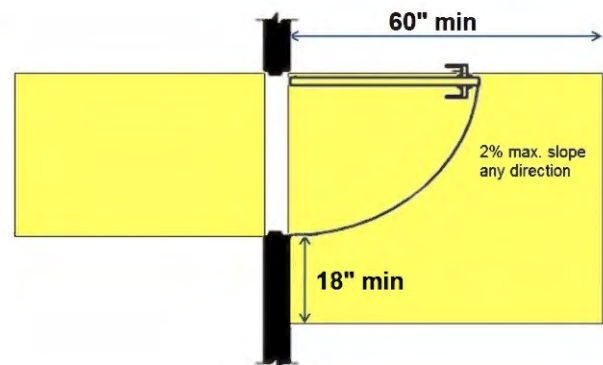
\$2000.00 - \$2500.00

Possible Solutions:

Modify door to provide a minimum 18" maneuvering clearance or reverse the swing of the door.

Barrier Priority:

7 (Medium): Access to goods and services (DOJ level 2) minimally out of compliance. Restrooms (DOJ level 3) – Moderately out of compliance Drinking fountains or public phones (DOJ level 4 & 5) severely out of compliance.



Finding #66 Additional Finding Photos



Police Station - Men's Restroom

Finding: 67

There is only one stall provided and it is not wheelchair accessible.

2010 ADAS Section 213.3.1

Where toilet compartments are provided, at least one toilet compartment shall comply with 604.8.1. In addition to the compartment required to comply with 604.8.1, at least one compartment shall comply with 604.8.2 where six or more toilet compartments are provided, or where the combination of urinals and water closets totals six or more fixtures.

Citation:

2010 ADAS Section: 213.3.1

Current

Condition:

N/A

Budgeting Range:

\$3500.00 - \$4000.00

Possible Solutions:

Modify partitions to provide a wheelchair accessible compartment. Clearance around a water closet shall be 60" minimum measured perpendicular from the side wall and 56" minimum measured perpendicular from the rear wall.

Barrier Priority:

6 (Medium): Access to goods and services (DOJ level 2) moderately out of compliance. Parking or exterior conditions (DOJ's level 1) – minimally out of compliance. Restrooms (DOJ level 3) – severely out of compliance.



Police Station - Men's Restroom

Finding: 68

The water heater blocks the required toe clearance at the lavatory.

2010 ADAS Section 306.3.1

Space under an element between 9 inches (230 mm) and 27 inches (685 mm) above the finish floor or ground shall be considered knee clearance and shall comply with 306.3.

Citation:

2010 ADAS Section: 306.3.1

Current

Condition:

N/A

Budgeting Range:

\$650.00 - \$700.00

Possible Solutions:

Relocate the water heater to provide the required clear floor space.

Barrier Priority:

6 (Medium): Access to goods and services (DOJ level 2) moderately out of compliance. Parking or exterior conditions (DOJ's level 1) – minimally out of compliance. Restrooms (DOJ level 3) – severely out of compliance.



Police Station - Men's Restroom

Finding: 69

The faucet controls require twisting of the wrist to operate.

2010 ADAS Section 606.4

Controls for faucets shall comply with 309. Hand-operated metering faucets shall remain open for 10 seconds minimum.

Citation:

2010 ADAS Section: 606.4

Current

Condition:

N/A

Budgeting Range:

\$450.00 - \$500.00

Possible Solutions:

Replace faucet controls with lever style controls.

Barrier Priority:

6 (Medium): Access to goods and services (DOJ level 2) moderately out of compliance. Parking or exterior conditions (DOJ's level 1) – minimally out of compliance. Restrooms (DOJ level 3) – severely out of compliance.



Police Station - Men's Restroom

Finding: 70

The water and drain pipes under the lavatory are not adequately insulated.

2010 ADAS Section 606.5

Water supply and drain pipes under lavatories and sinks shall be insulated or otherwise configured to protect against contact. There shall be no sharp or abrasive surfaces under lavatories and sinks.

Citation:

2010 ADAS Section: 606.5

Current

Condition:

N/A

Budgeting Range:

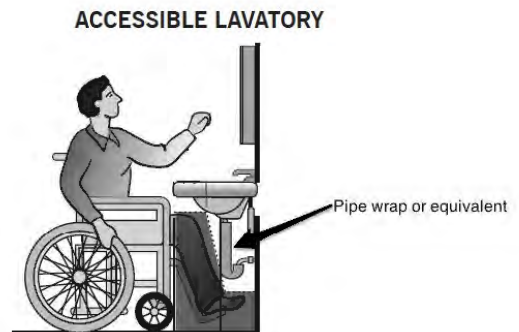
\$100.00 - \$150.00

Possible Solutions:

Provide protection at the exposed drain and water lines under the lavatory.

Barrier Priority:

6 (Medium): Access to goods and services (DOJ level 2) moderately out of compliance. Parking or exterior conditions (DOJ's level 1) – minimally out of compliance. Restrooms (DOJ level 3) – severely out of compliance.



Police Station - Men's Restroom

Finding: 71

The mirror is mounted too high.

2010 ADAS Section 603.2
Clearances shall comply with 603.2.

Citation:

2010 ADAS Section: 603.2

Current Condition:

N/A

Budgeting Range:

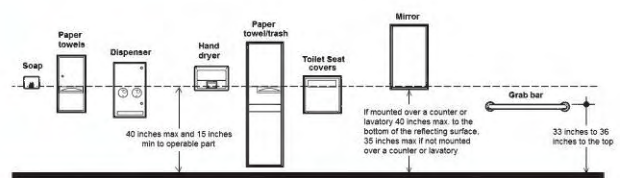
\$150.00 - \$200.00

Possible Solutions:

Lower mirror so the bottom of the reflective surface is no higher than 40" or provide a full height mirror.

Barrier Priority:

7 (Medium): Access to goods and services (DOJ level 2) minimally out of compliance. Restrooms (DOJ level 3) – Moderately out of compliance Drinking fountains or public phones (DOJ level 4 & 5) severely out of compliance.



Police Station - Women's Restroom

Finding: 72

The Women's restroom sign is mounted on the door. There is no tactile characters or Braille provided.

2010 ADAS Section 703.4.2

Where a tactile sign is provided at a door, the sign shall be located alongside the door at the latch side. Where a tactile sign is provided at double doors with one active leaf, the sign shall be located on the inactive leaf. Where a tactile sign is provided at double doors with two active leafs, the sign shall be located to the right of the right hand door. Where there is no wall space at the latch side of a single door or at the right side of double doors, signs shall be located on the nearest adjacent wall. Signs containing tactile characters shall be located so that a clear floor space of 18 inches (455 mm) minimum by 18 inches (455 mm) minimum, centered on the tactile characters, is provided beyond the arc of any door swing between the closed position and 45 degree open position.

Citation:

2010 ADAS Section: 703.4.2

Current

Condition:

N/A

Budgeting Range:

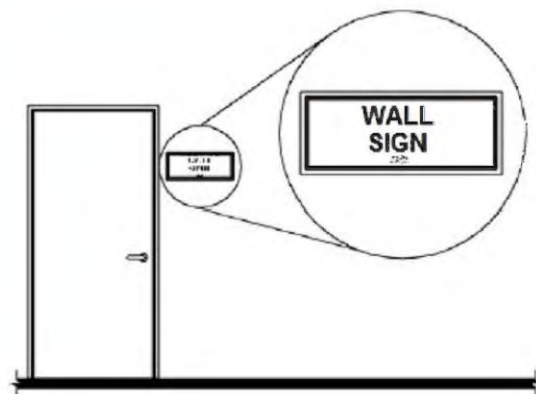
\$200.00 - \$250.00

Possible Solutions:

Install compliant signage with Braille and tactile characters on the latch side of the door.

Barrier Priority:

6 (Medium): Access to goods and services (DOJ level 2) moderately out of compliance. Parking or exterior conditions (DOJ's level 1) – minimally out of compliance. Restrooms (DOJ level 3) – severely out of compliance.



Police Station - Women's Restroom

Finding: 73

The door exceeds the maximum 5 pounds of pressure to open.

2010 ADAS Section 404.2.9

Fire doors shall have a minimum opening force allowable by the appropriate administrative authority. The force for pushing or pulling open a door or gate other than fire doors shall be as follows: 1. Interior hinged doors and gates: 5 pounds (22.2 N) maximum. 2. Sliding or folding doors: 5 pounds (22.2 N) maximum. These forces do not apply to the force required to retract latch bolts or disengage other devices that hold the door or gate in a closed position.

Citation:

2010 ADAS Section: 404.2.9

Current

Condition:

N/A

Budgeting Range:

\$100.00 - \$150.00

Possible Solutions:

Adjust door closing mechanism.

Barrier Priority:

7 (Medium): Access to goods and services (DOJ level 2) minimally out of compliance. Restrooms (DOJ level 3) – Moderately out of compliance Drinking fountains or public phones (DOJ level 4 & 5) severely out of compliance.



Police Station - Women's Restroom

Finding: 74

The door into the restroom provides only 29" clear width.

2010 ADAS Section 404.2.3

Door openings shall provide a clear width of 32 inches (815 mm) minimum. Clear openings of doorways with swinging doors shall be measured between the face of the door and the stop, with the door open 90 degrees. Openings more than 24 inches (610 mm) deep shall provide a clear opening of 36 inches (915 mm) minimum. There shall be no projections into the required clear opening width lower than 34 inches (865 mm) above the finish floor or ground. Projections into the clear opening width between 34 inches (865 mm) and 80 inches (2030 mm) above the finish floor or ground shall not exceed 4 inches (100 mm).

Citation:

2010 ADAS Section: 404.2.3

Current

Condition:

29"

Budgeting Range:

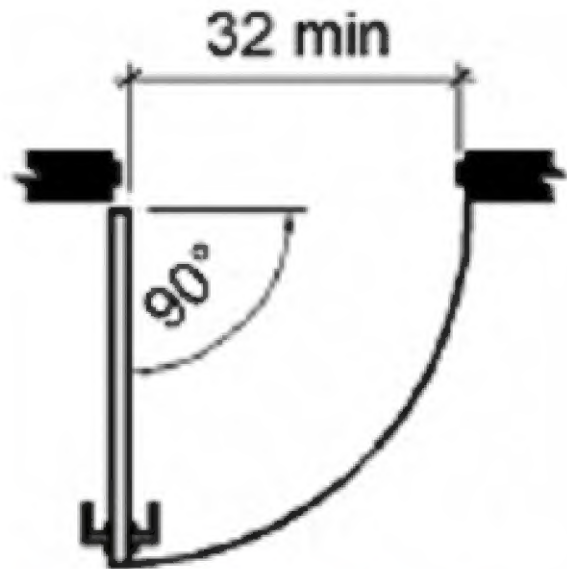
\$2000.00 - \$2500.00

Possible Solutions:

Modify door to provide a minimum 32" opening.

Barrier Priority:

7 (Medium): Access to goods and services (DOJ level 2) minimally out of compliance. Restrooms (DOJ level 3) – Moderately out of compliance Drinking fountains or public phones (DOJ level 4 & 5) severely out of compliance.



Hinged Door or Gate

Police Station - Women's Restroom

Finding: 75

There is only a 2" maneuvering clearance on the pull side of the door where a minimum of 18" is required.

2010 ADAS Section 404.2.4.1

Swinging doors and gates shall have maneuvering clearances complying with Table 404.2.4.1.

Citation:

2010 ADAS Section: 404.2.4.1

Current

Condition:

2"

Budgeting Range:

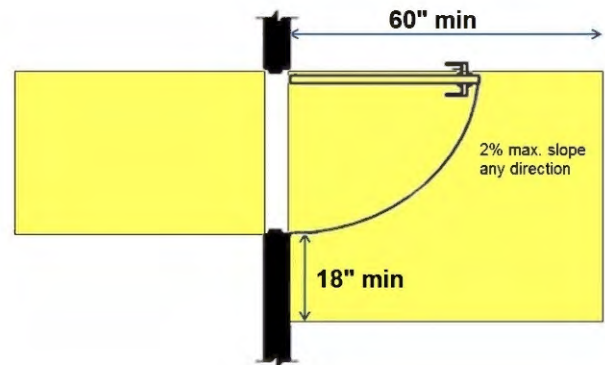
\$0.00 - \$0.00

Possible Solutions:

Reverse the swing of the door. Cost included in Finding #74.

Barrier Priority:

7 (Medium): Access to goods and services (DOJ level 2) minimally out of compliance. Restrooms (DOJ level 3) – Moderately out of compliance Drinking fountains or public phones (DOJ level 4 & 5) severely out of compliance.



Police Station - Women's Restroom

Finding: 76

The required clear floor width for the water closet is blocked by the lavatory reducing it down to only 40-3/4" wide where a minimum of 60" width is required.

2010 ADAS Section 604.3.2

The required clearance around the water closet shall be permitted to overlap the water closet, associated grab bars, dispensers, sanitary napkin disposal units, coat hooks, shelves, accessible routes, clear floor space and clearances required at other fixtures, and the turning space. No other fixtures or obstructions shall be located within the required water closet clearance.

Citation:

2010 ADAS Section: 604.3.2

Current

Condition:

40-3/4"

Budgeting Range:

\$2000.00 - \$2500.00

Possible Solutions:

Relocate lavatory to provide the required clear floor space for each fixture.

Barrier Priority:

6 (Medium): Access to goods and services (DOJ level 2) moderately out of compliance. Parking or exterior conditions (DOJ's level 1) – minimally out of compliance. Restrooms (DOJ level 3) – severely out of compliance.



Finding #76 Additional Finding Photos



Police Station - Women's Restroom

Finding: 77

There are no grab bars provided.

2010 ADAS Section 604.5

Grab bars for water closets shall comply with 609. Grab bars shall be provided on the side wall closest to the water closet and on the rear wall.

Citation:

2010 ADAS Section: 604.5

Current

Condition:

N/A

Budgeting Range:

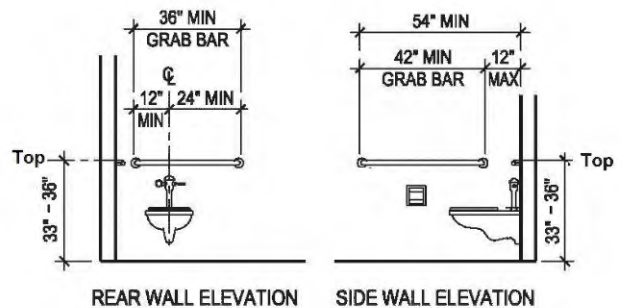
\$750.00 - \$800.00

Possible Solutions:

Install a rear grab bar that is 36" long and extend from the centerline of the toilet 12" minimum on one side and 24" minimum on the other side. Install a side grab bar that extend at least 54" minimum beyond the rear wall and a maximum of 12" from the rear wall.

Barrier Priority:

6 (Medium): Access to goods and services (DOJ level 2) moderately out of compliance. Parking or exterior conditions (DOJ's level 1) – minimally out of compliance. Restrooms (DOJ level 3) – severely out of compliance.



Police Station - Women's Restroom

Finding: 78

The water and drain pipes under the lavatory are not adequately insulated.

2010 ADAS Section 606.5

Water supply and drain pipes under lavatories and sinks shall be insulated or otherwise configured to protect against contact. There shall be no sharp or abrasive surfaces under lavatories and sinks.

Citation:

2010 ADAS Section: 606.5

Current

Condition:

N/A

Budgeting Range:

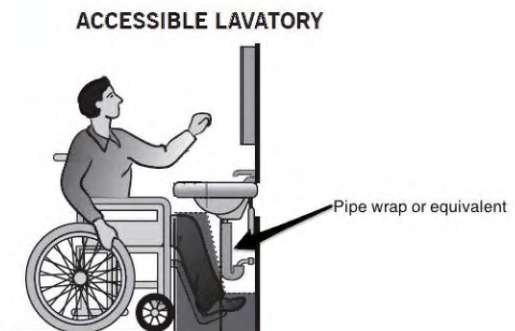
\$100.00 - \$150.00

Possible Solutions:

Provide protection at the exposed drain and water lines under the lavatory.

Barrier Priority:

7 (Medium): Access to goods and services (DOJ level 2) minimally out of compliance. Restrooms (DOJ level 3) – Moderately out of compliance Drinking fountains or public phones (DOJ level 4 & 5) severely out of compliance.



Police Station - Women's Restroom

Finding: 79

The clear floor space at the lavatory is obstructed by the trash can and a shelving unit.

2010 ADAS Section 606.2

A clear floor space complying with 305, positioned for a forward approach, and knee and toe clearance complying with 306 shall be provided.

Citation:

2010 ADAS Section: 606.2

Current

Condition:

N/A

Budgeting Range:

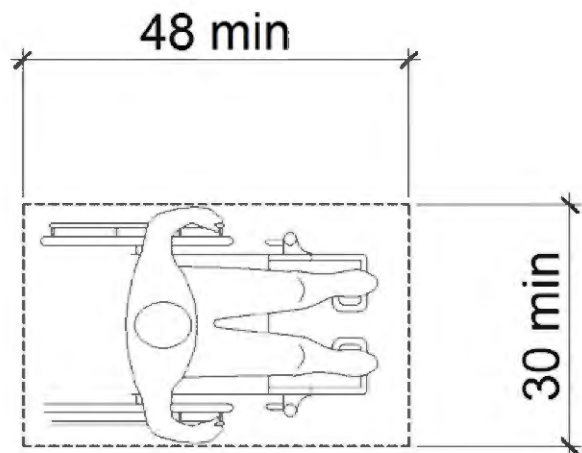
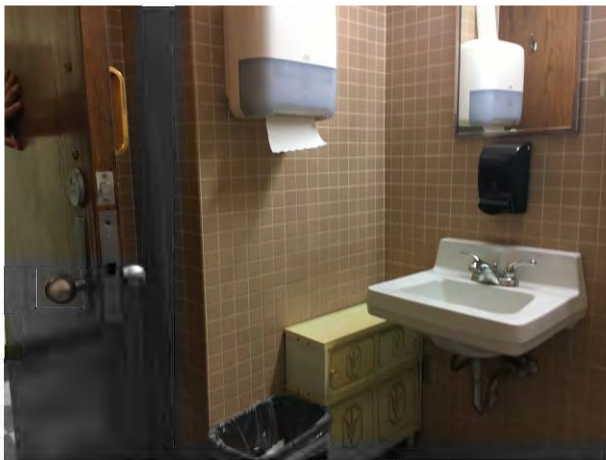
\$0.00 - \$0.00

Possible Solutions:

Relocate the trash can and shelving unit to provide the required clear floor space. There is no cost associated with this Finding.

Barrier Priority:

7 (Medium): Access to goods and services (DOJ level 2) minimally out of compliance. Restrooms (DOJ level 3) – Moderately out of compliance Drinking fountains or public phones (DOJ level 4 & 5) severely out of compliance.



Police Station - Women's Restroom

Finding: 80

The mirror is mounted too high at 50" to the bottom of the reflective surface.

2010 ADAS Section 603.2
Clearances shall comply with 603.2.

Citation:

2010 ADAS Section: 603.2

Current
Condition:

N/A

Budgeting Range:

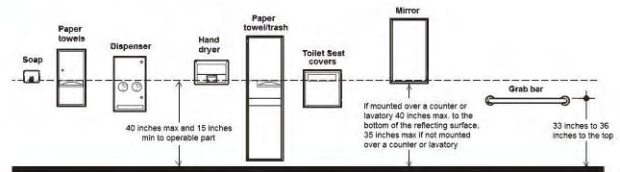
\$150.00 - \$200.00

Possible Solutions:

Lower mirror so the bottom of the reflective surface is no higher than 40" or install a full height mirror.

Barrier Priority:

7 (Medium): Access to goods and services (DOJ level 2) minimally out of compliance. Restrooms (DOJ level 3) – Moderately out of compliance Drinking fountains or public phones (DOJ level 4 & 5) severely out of compliance.



Police Station - Women's Restroom

Finding: 81

The paper towel dispenser's operation mechanism is at 51" where a maximum of 48" is required.

2010 ADAS Section 308.2.1

Where a forward reach is unobstructed, the high forward reach shall be 48 inches (1220 mm) maximum and the low forward reach shall be 15 inches (380 mm) minimum above the finish floor or ground.

Citation:

2010 ADAS Section: 308.2.1

Current

Condition:

51"

Budgeting Range:

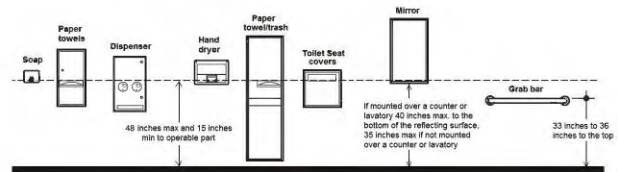
\$450.00 - \$500.00

Possible Solutions:

Lower paper towel dispenser so the highest operable part is at 48" above finished floor.

Barrier Priority:

7 (Medium): Access to goods and services (DOJ level 2) minimally out of compliance. Restrooms (DOJ level 3) – Moderately out of compliance Drinking fountains or public phones (DOJ level 4 & 5) severely out of compliance.



Police Station - Women's Restroom

Finding: 82

The coat hook is mounted with the highest operable part at 69".

2010 ADAS Section 308.2.1

Where a forward reach is unobstructed, the high forward reach shall be 48 inches (1220 mm) maximum and the low forward reach shall be 15 inches (380 mm) minimum above the finish floor or ground.

Citation:

2010 ADAS Section: 308.2.1

Current

Condition:

69"

Budgeting Range:

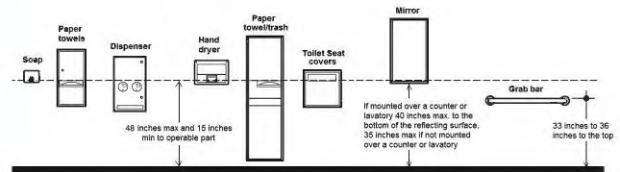
\$150.00 - \$200.00

Possible Solutions:

Add a coat hook mounted with the highest operable part at 48" above finished floor.

Barrier Priority:

7 (Medium): Access to goods and services (DOJ level 2) minimally out of compliance. Restrooms (DOJ level 3) – Moderately out of compliance Drinking fountains or public phones (DOJ level 4 & 5) severely out of compliance.



Police Station - Men's Locker Room

Finding: 83

Signage for both entrances into the Men's locker room is mounted on the door and does not have tactile characters or Braille provided.

2010 ADAS Section 703.4.2

Where a tactile sign is provided at a door, the sign shall be located alongside the door at the latch side. Where a tactile sign is provided at double doors with one active leaf, the sign shall be located on the inactive leaf. Where a tactile sign is provided at double doors with two active leaves, the sign shall be located to the right of the right hand door. Where there is no wall space at the latch side of a single door or at the right side of double doors, signs shall be located on the nearest adjacent wall. Signs containing tactile characters shall be located so that a clear floor space of 18 inches (455 mm) minimum by 18 inches (455 mm) minimum, centered on the tactile characters, is provided beyond the arc of any door swing between the closed position and 45 degree open position.

Citation:

2010 ADAS Section: 703.4.2

Current

Condition:

N/A

Budgeting Range:

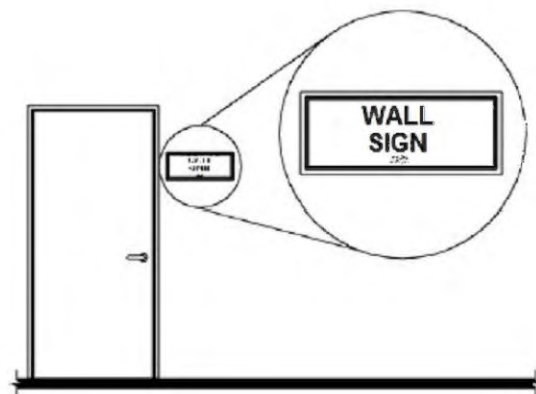
\$450.00 - \$500.00

Possible Solutions:

Install compliant signage with Braille and tactile characters on the latch side of the doors.

Barrier Priority:

6 (Medium): Access to goods and services (DOJ level 2) moderately out of compliance. Parking or exterior conditions (DOJ's level 1) – minimally out of compliance. Restrooms (DOJ level 3) – severely out of compliance.



Finding #83 Additional Finding Photos



Police Station - Men's Locker Room

Finding: 84

The maneuvering space on the pull side of the door is only 3" where a minimum of 18" is required.

2010 ADAS Section 404.2.4.1

Swinging doors and gates shall have maneuvering clearances complying with Table 404.2.4.1.

Citation:

2010 ADAS Section: 404.2.4.1

Current

Condition:

3"

Budgeting Range:

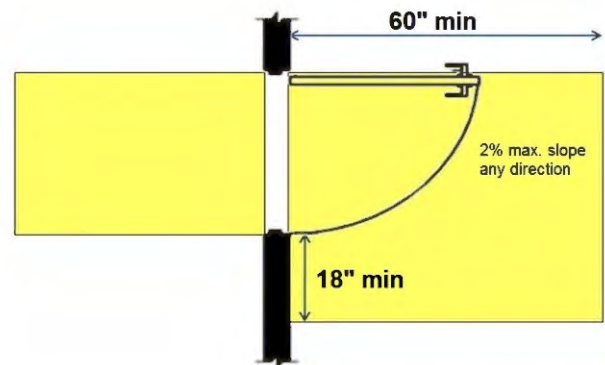
\$2000.00 - \$2500.00

Possible Solutions:

Modify door to provide a minimum 18" maneuvering clearance.

Barrier Priority:

7 (Medium): Access to goods and services (DOJ level 2) minimally out of compliance. Restrooms (DOJ level 3) – Moderately out of compliance Drinking fountains or public phones (DOJ level 4 & 5) severely out of compliance.



Police Station - Men's Locker Room

Finding: 85

No accessible wheelchair compartment is provided.

2010 ADAS Section 213.3.1

Where toilet compartments are provided, at least one toilet compartment shall comply with 604.8.1. In addition to the compartment required to comply with 604.8.1, at least one compartment shall comply with 604.8.2 where six or more toilet compartments are provided, or where the combination of urinals and water closets totals six or more fixtures.

Citation:

2010 ADAS Section: 213.3.1

Current

Condition:

N/A

Budgeting Range:

\$3500.00 - \$4000.00

Possible Solutions:

Modify partitions to provide a wheelchair accessible compartment. Clearance around a water closet shall be 60" minimum measured perpendicular from the side wall and 56" minimum measured perpendicular from the rear wall.

Barrier Priority:

6 (Medium): Access to goods and services (DOJ level 2) moderately out of compliance. Parking or exterior conditions (DOJ's level 1) – minimally out of compliance. Restrooms (DOJ level 3) – severely out of compliance.



Police Station - Men's Locker Room

Finding: 86

The lavatory provided in the Men's locker room only has a 23-7/8" knee clearance where a minimum of 27" is required.

2010 ADAS Section 306.3.1

Space under an element between 9 inches (230 mm) and 27 inches (685 mm) above the finish floor or ground shall be considered knee clearance and shall comply with 306.3.

Citation:

2010 ADAS Section: 306.3.1

Current

Condition:

23-7/8"

Budgeting Range:

\$2000.00 - \$2500.00

Possible Solutions:

Modify counter to provide a minimum of 27" high knee clearance.

Barrier Priority:

6 (Medium): Access to goods and services (DOJ level 2) moderately out of compliance. Parking or exterior conditions (DOJ's level 1) – minimally out of compliance. Restrooms (DOJ level 3) – severely out of compliance.



Finding #86 Additional Finding Photos



Police Station - Men's Locker Room

Finding: 87

The faucet controls require twisting of the wrist.

2010 ADAS Section 606.4

Controls for faucets shall comply with 309. Hand-operated metering faucets shall remain open for 10 seconds minimum.

Citation:

2010 ADAS Section: 606.4

Current

Condition:

N/A

Budgeting Range:

\$450.00 - \$500.00

Possible Solutions:

Replace with lever style faucet controls.

Barrier Priority:

6 (Medium): Access to goods and services (DOJ level 2) moderately out of compliance. Parking or exterior conditions (DOJ's level 1) – minimally out of compliance. Restrooms (DOJ level 3) – severely out of compliance.



Police Station - Men's Locker Room

Finding: 88

The water and drain pipes under the lavatory are not adequately insulated.

2010 ADAS Section 606.5

Water supply and drain pipes under lavatories and sinks shall be insulated or otherwise configured to protect against contact. There shall be no sharp or abrasive surfaces under lavatories and sinks.

Citation:

2010 ADAS Section: 606.5

Current

Condition:

N/A

Budgeting Range:

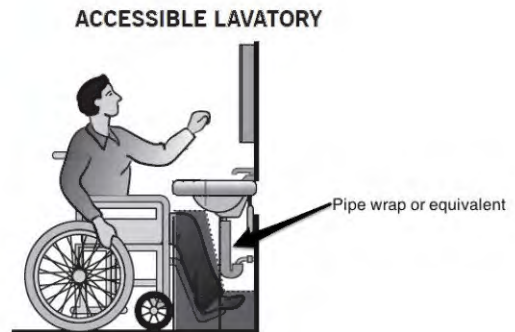
\$100.00 - \$150.00

Possible Solutions:

Provide protection at the exposed drain and water lines under the lavatory.

Barrier Priority:

6 (Medium): Access to goods and services (DOJ level 2) moderately out of compliance. Parking or exterior conditions (DOJ's level 1) – minimally out of compliance. Restrooms (DOJ level 3) – severely out of compliance.



Police Station - Men's Locker Room

Finding: 89

There are 2 urinals provided and no accessible urinal is provided.

2010 ADAS Section 605.2

Urinals shall be the stall-type or the wall-hung type with the rim 17 inches (430 mm) maximum above the finish floor or ground. Urinals shall be 13 1/2 inches (345 mm) deep minimum measured from the outer face of the urinal rim to the back of the fixture.

Citation:

2010 ADAS Section: 605.2

Current

Condition:

N/A

Budgeting Range:

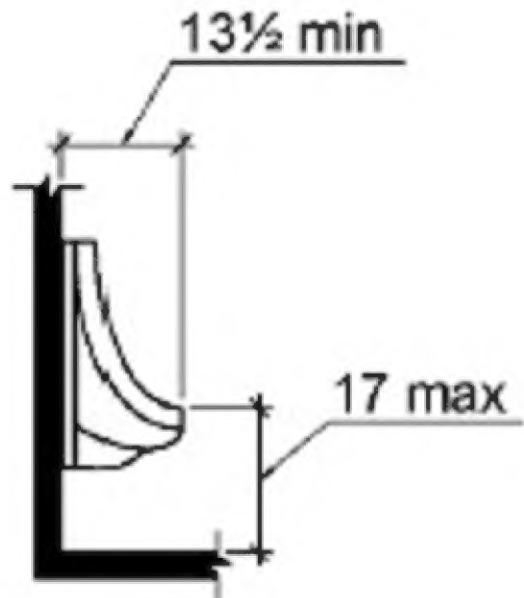
\$1000.00 - \$1500.00

Possible Solutions:

Lower one of the urinals so the rim is no higher than 17".

Barrier Priority:

6 (Medium): Access to goods and services (DOJ level 2) moderately out of compliance. Parking or exterior conditions (DOJ's level 1) – minimally out of compliance. Restrooms (DOJ level 3) – severely out of compliance.



Police Station - Men's Locker Room

Finding: 90

No accessible shower is provided.

2010 ADAS Section 213.3.6

Where bathtubs or showers are provided, at least one bathtub complying with 607 or at least one shower complying with 608 shall be provided.

Citation:

2010 ADAS Section: 213.3.6

Current

Condition:

N/A

Budgeting Range:

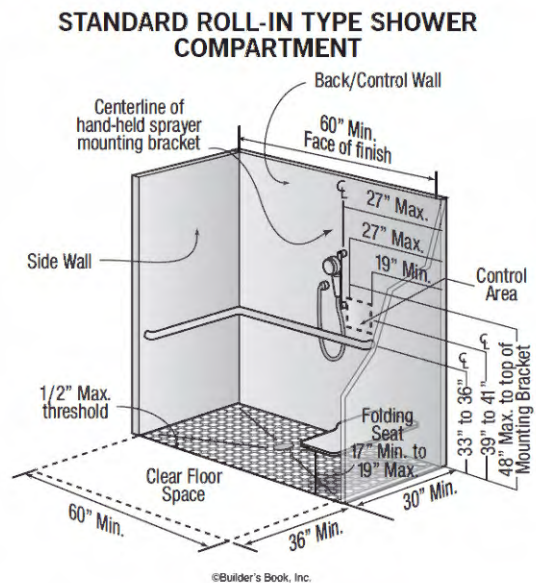
\$4500.00 - \$5000.00

Possible Solutions:

Modify shower room to provide an accessible shower compartment.

Barrier Priority:

6 (Medium): Access to goods and services (DOJ level 2) moderately out of compliance. Parking or exterior conditions (DOJ's level 1) – minimally out of compliance. Restrooms (DOJ level 3) – severely out of compliance.



Police Station - Men's Locker Room

Finding: 91

The mirror is mounted at 47-3/4".

2010 ADAS Section 603.2
Clearances shall comply with 603.2.

Citation:

2010 ADAS Section: 603.2

Current Condition:

47-3/4"

Budgeting Range:

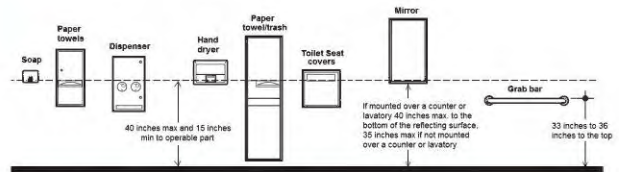
\$150.00 - \$200.00

Possible Solutions:

Lower mirror so the bottom reflective surface is no higher than 40" above finished floor or install a full height mirror.

Barrier Priority:

7 (Medium): Access to goods and services (DOJ level 2) minimally out of compliance. Restrooms (DOJ level 3) – Moderately out of compliance Drinking fountains or public phones (DOJ level 4 & 5) severely out of compliance.



Police Station - Men's Locker Room

Finding: 92

The paper towel dispenser's operation mechanism is at 54" where a maximum of 48" is required.

2010 ADAS Section 308.2.1

Where a forward reach is unobstructed, the high forward reach shall be 48 inches (1220 mm) maximum and the low forward reach shall be 15 inches (380 mm) minimum above the finish floor or ground.

Citation:

2010 ADAS Section: 308.2.1

Current

Condition:

54"

Budgeting Range:

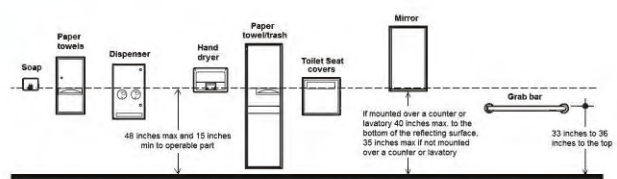
\$450.00 - \$500.00

Possible Solutions:

Lower paper towel dispenser so the highest operable part is at 48" above finished floor.

Barrier Priority:

8 (Medium): Drinking fountains or public phones (DOJ level 4 & 5) - moderately out of compliance.



Police Station - Men's Locker Room

Finding: 93

The path between lockers is only 35" wide.

2010 ADAS Section 403.5.1

Except as provided in 403.5.2 and 403.5.3, the clear width of walking surfaces shall be 36 inches (915 mm) minimum.

Citation:

2010 ADAS Section: 403.5.1

Current

Condition:

35"

Budgeting Range:

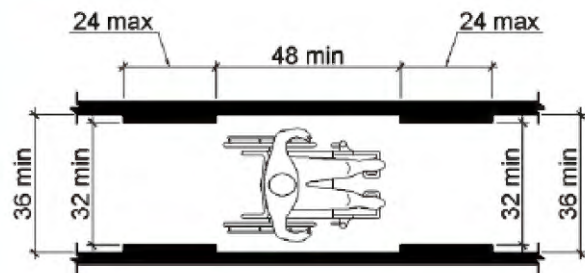
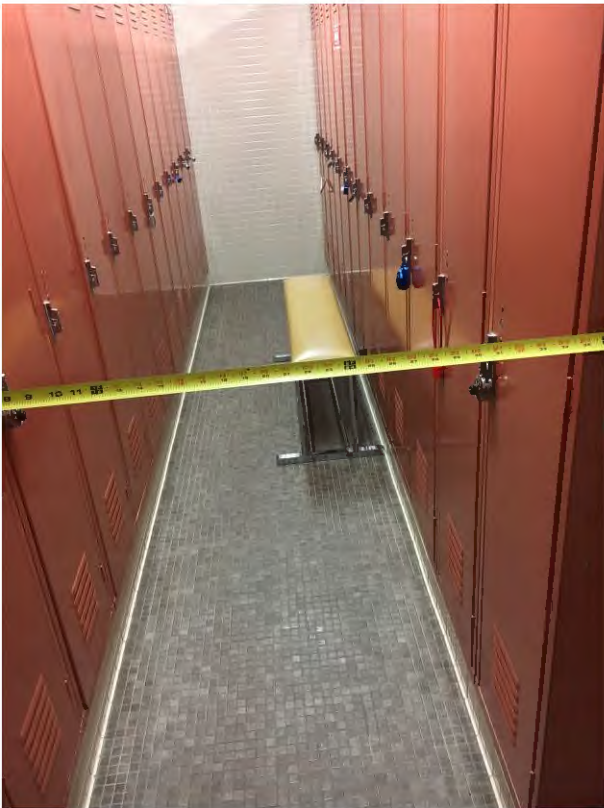
\$2000.00 - \$3000.00

Possible Solutions:

Re-arrange the lockers to provide a clear 36" wide path.

Barrier Priority:

6 (Medium): Access to goods and services (DOJ level 2) moderately out of compliance. Parking or exterior conditions (DOJ's level 1) – minimally out of compliance. Restrooms (DOJ level 3) – severely out of compliance.



Finding #93 Additional Finding Photos



Police Station - Men's Locker Room

Finding: 94

There is no accessible bench provided in the locker room.

2010 ADAS Section 903.5

The top of the bench seat surface shall be 17 inches (430 mm) minimum and 19 inches (485 mm) maximum above the finish floor or ground.

Citation:

2010 ADAS Section: 903.5

Current

Condition:

N/A

Budgeting Range:

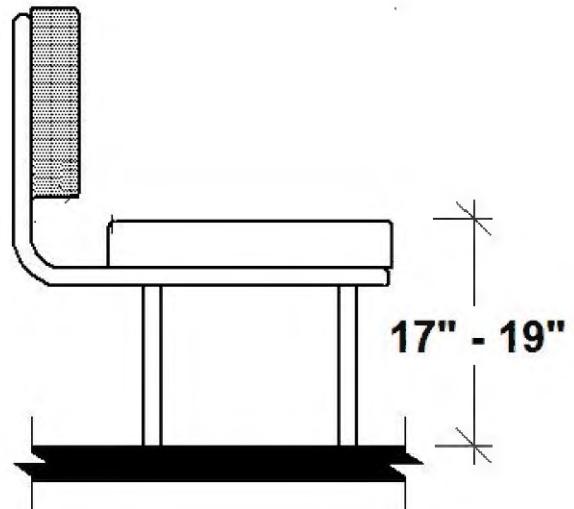
\$950.00 - \$1000.00

Possible Solutions:

Provide a bench that is a 42" long x 20" deep with back support.

Barrier Priority:

6 (Medium): Access to goods and services (DOJ level 2) moderately out of compliance. Parking or exterior conditions (DOJ's level 1) – minimally out of compliance. Restrooms (DOJ level 3) – severely out of compliance.



Police Station - Men's Locker Room

Finding: 95

The back door leading from the locker room leading to the work out room has a 2" maneuvering clearance on the pull side where a minimum of 18" is required.

2010 ADAS Section 404.2.4.1

Swinging doors and gates shall have maneuvering clearances complying with Table 404.2.4.1.

Citation:

2010 ADAS Section: 404.2.4.1

Current

Condition:

2"

Budgeting Range:

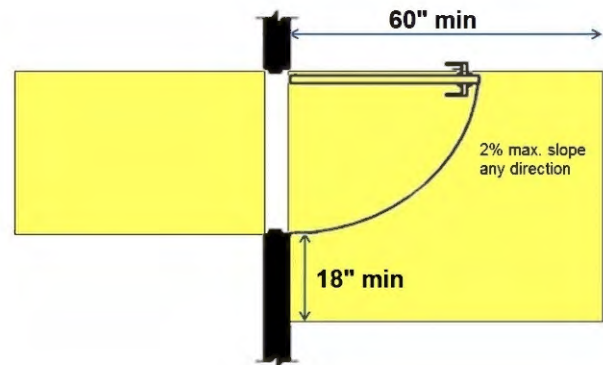
\$2000.00 - \$2500.00

Possible Solutions:

Modify door to provide a minimum 18" maneuvering clearance or reverse the swing of the door.

Barrier Priority:

7 (Medium): Access to goods and services (DOJ level 2) minimally out of compliance. Restrooms (DOJ level 3) – Moderately out of compliance Drinking fountains or public phones (DOJ level 4 & 5) severely out of compliance.



Police Station - Women's Locker Room

Finding: 96

Signage into the Women's locker room is mounted on the door and does not have tactile characters or Braille provided.

2010 ADAS Section 703.4.2

Where a tactile sign is provided at a door, the sign shall be located alongside the door at the latch side. Where a tactile sign is provided at double doors with one active leaf, the sign shall be located on the inactive leaf. Where a tactile sign is provided at double doors with two active leafs, the sign shall be located to the right of the right hand door. Where there is no wall space at the latch side of a single door or at the right side of double doors, signs shall be located on the nearest adjacent wall. Signs containing tactile characters shall be located so that a clear floor space of 18 inches (455 mm) minimum by 18 inches (455 mm) minimum, centered on the tactile characters, is provided beyond the arc of any door swing between the closed position and 45 degree open position.

Citation:

2010 ADAS Section: 703.4.2

Current

Condition:

N/A

Budgeting Range:

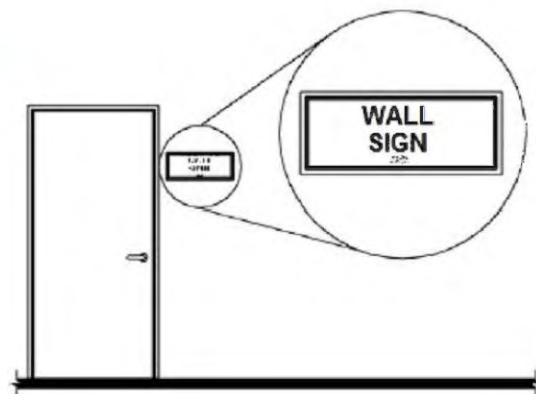
\$200.00 - \$250.00

Possible Solutions:

Install compliant signage with Braille and tactile characters on the latch side of the door.

Barrier Priority:

6 (Medium): Access to goods and services (DOJ level 2) moderately out of compliance. Parking or exterior conditions (DOJ's level 1) – minimally out of compliance. Restrooms (DOJ level 3) – severely out of compliance.



Police Station - Women's Locker Room

Finding: 97

The door exceeds the maximum 5 pounds of pressure to open.

2010 ADAS Section 404.2.9

Fire doors shall have a minimum opening force allowable by the appropriate administrative authority. The force for pushing or pulling open a door or gate other than fire doors shall be as follows: 1. Interior hinged doors and gates: 5 pounds (22.2 N) maximum. 2. Sliding or folding doors: 5 pounds (22.2 N) maximum. These forces do not apply to the force required to retract latch bolts or disengage other devices that hold the door or gate in a closed position.

Citation:

2010 ADAS Section: 404.2.9

Current

Condition:

N/A

Budgeting Range:

\$100.00 - \$150.00

Possible Solutions:

Adjust closing mechanism.

Barrier Priority:

7 (Medium): Access to goods and services (DOJ level 2) minimally out of compliance. Restrooms (DOJ level 3) – Moderately out of compliance Drinking fountains or public phones (DOJ level 4 & 5) severely out of compliance.



Police Station - Women's Locker Room

Finding: 98

The landing on the pull side of the door to exit the Women's locker room is blocked by the lockers and is only 42" deep.

2010 ADAS Section 404.2.4.4

Floor or ground surface within required maneuvering clearances shall comply with 302. Changes in level are not permitted.

Citation:

2010 ADAS Section: 404.2.4.4

Current

Condition:

42"

Budgeting Range:

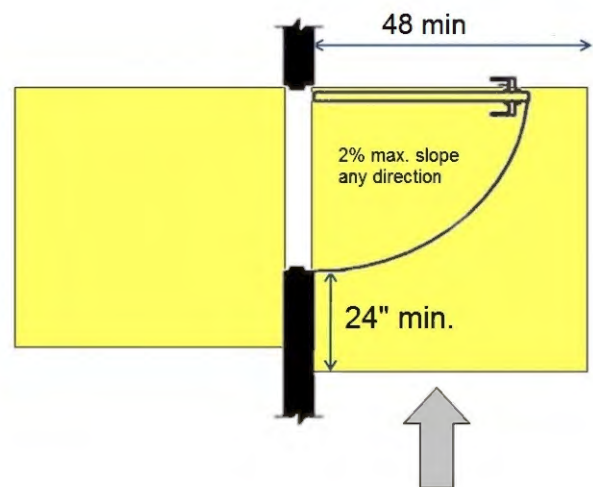
\$2000.00 - \$2500.00

Possible Solutions:

Reverse the swing of the door.

Barrier Priority:

7 (Medium): Access to goods and services (DOJ level 2) minimally out of compliance. Restrooms (DOJ level 3) – Moderately out of compliance Drinking fountains or public phones (DOJ level 4 & 5) severely out of compliance.



Finding #98 Additional Finding Photos



Police Station - Women's Locker Room

Finding: 99

The path from the door through the locker room is narrow ranging from 24" wide to 28" wide.

2010 ADAS Section 403.5.1

Except as provided in 403.5.2 and 403.5.3, the clear width of walking surfaces shall be 36 inches (915 mm) minimum.

Citation:

2010 ADAS Section: 403.5.1

Current

Condition:

24"-28"

Budgeting Range:

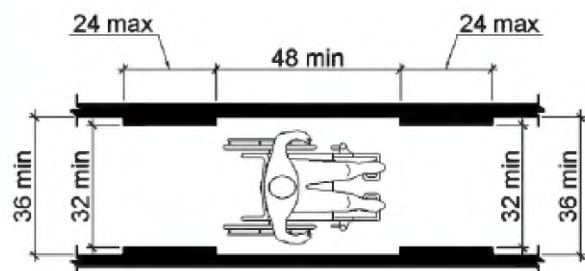
\$2000.00 - \$3000.00

Possible Solutions:

Modify room to provide a clear 36" wide path of travel. The path of travel may be reduced to 32" wide for a maximum distance of 24".

Barrier Priority:

7 (Medium): Access to goods and services (DOJ level 2) minimally out of compliance. Restrooms (DOJ level 3) – Moderately out of compliance Drinking fountains or public phones (DOJ level 4 & 5) severely out of compliance.



Police Station - Women's Locker Room

Finding: 100

No accessible toilet compartment is provided.

2010 ADAS Section 213.3.1

Where toilet compartments are provided, at least one toilet compartment shall comply with 604.8.1. In addition to the compartment required to comply with 604.8.1, at least one compartment shall comply with 604.8.2 where six or more toilet compartments are provided, or where the combination of urinals and water closets totals six or more fixtures.

Citation:

2010 ADAS Section: 213.3.1

Current

Condition:

N/A

Budgeting Range:

\$3500.00 - \$4000.00

Possible Solutions:

Modify partitions to provide a wheelchair accessible compartment. Clearance around a water closet shall be 60" minimum measured perpendicular from the side wall and 56" minimum measured perpendicular from the rear wall.

Barrier Priority:

6 (Medium): Access to goods and services (DOJ level 2) moderately out of compliance. Parking or exterior conditions (DOJ's level 1) – minimally out of compliance. Restrooms (DOJ level 3) – severely out of compliance.



Police Station - Women's Locker Room

Finding: 101

No accessible shower compartment is provided.

2010 ADAS Section 213.3.6

Where bathtubs or showers are provided, at least one bathtub complying with 607 or at least one shower complying with 608 shall be provided.

Citation:

2010 ADAS Section: 213.3.6

Current

Condition:

N/A

Budgeting Range:

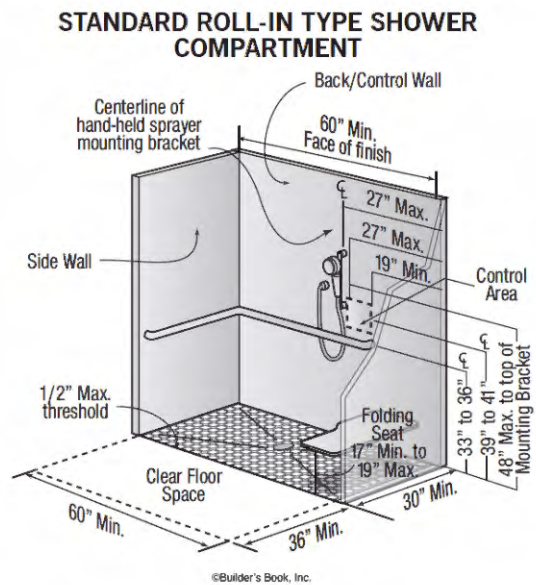
\$4500.00 - \$5000.00

Possible Solutions:

Modify shower room to provide an accessible shower compartment.

Barrier Priority:

6 (Medium): Access to goods and services (DOJ level 2) moderately out of compliance. Parking or exterior conditions (DOJ's level 1) – minimally out of compliance. Restrooms (DOJ level 3) – severely out of compliance.



Finding #101 Additional Finding Photos



Police Station - Women's Locker Room

Finding: 102

The required clear floor space for a forward approach to the lavatory is only 34-3/4" deep where a minimum of 48" is required.

2010 ADAS Section 305.3

The clear floor or ground space shall be 30 inches (760 mm) minimum by 48 inches (1220 mm) minimum

Citation:

2010 ADAS Section: 305.3

Current

Condition:

34-3/4"

Budgeting Range:

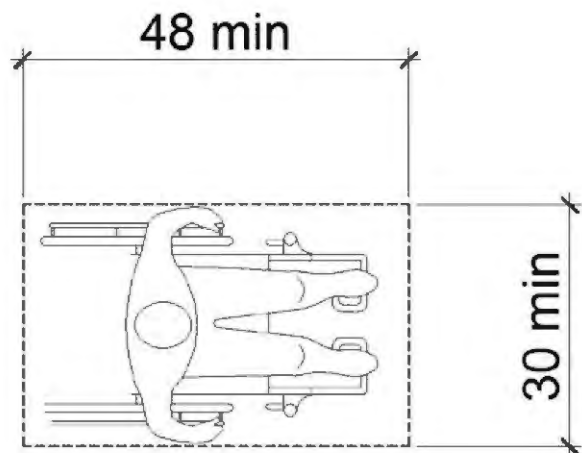
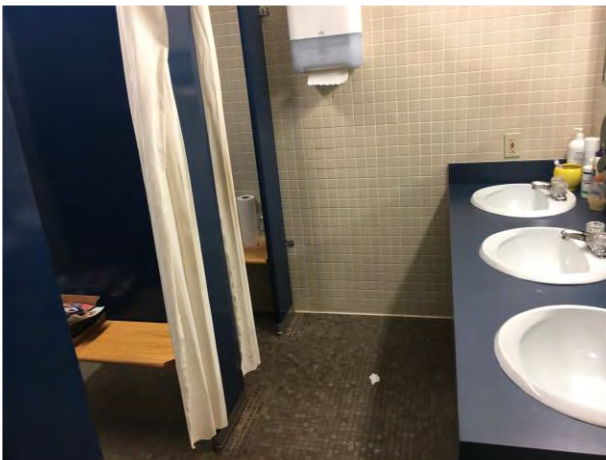
\$0.00 - \$0.00

Possible Solutions:

When room is modified to add an accessible shower and an accessible toilet compartment, ensure the required clear floor space is provided for the lavatory. Cost is included in Findings 100 & 101.

Barrier Priority:

6 (Medium): Access to goods and services (DOJ level 2) moderately out of compliance. Parking or exterior conditions (DOJ's level 1) – minimally out of compliance. Restrooms (DOJ level 3) – severely out of compliance.



Finding #102 Additional Finding Photos



Police Station - Women's Locker Room

Finding: 103

The knee clearance under the lavatories is 24-1/4" high where 27" minimum is required.

2010 ADAS Section 306.3.1

Space under an element between 9 inches (230 mm) and 27 inches (685 mm) above the finish floor or ground shall be considered knee clearance and shall comply with 306.3.

Citation:

2010 ADAS Section: 306.3.1

Current

Condition:

24-1/4"

Budgeting Range:

\$2000.00 - \$2500.00

Possible Solutions:

Modify counter to provide a minimum of 27" high knee clearance.

Barrier Priority:

6 (Medium): Access to goods and services (DOJ level 2) moderately out of compliance. Parking or exterior conditions (DOJ's level 1) – minimally out of compliance. Restrooms (DOJ level 3) – severely out of compliance.



Finding #103 Additional Finding Photos



Police Station - Women's Locker Room

Finding: 104

The faucet controls require twisting of the wrist.

2010 ADAS Section 606.4

Controls for faucets shall comply with 309. Hand-operated metering faucets shall remain open for 10 seconds minimum.

Citation:

2010 ADAS Section: 606.4

Current

Condition:

N/A

Budgeting Range:

\$450.00 - \$500.00

Possible Solutions:

Replace with lever style faucet controls.

Barrier Priority:

6 (Medium): Access to goods and services (DOJ level 2) moderately out of compliance. Parking or exterior conditions (DOJ's level 1) – minimally out of compliance. Restrooms (DOJ level 3) – severely out of compliance.



Police Station - Women's Locker Room

Finding: 105

The water and drain pipes under the lavatory are not adequately insulated.

2010 ADAS Section 606.5

Water supply and drain pipes under lavatories and sinks shall be insulated or otherwise configured to protect against contact. There shall be no sharp or abrasive surfaces under lavatories and sinks.

Citation:

2010 ADAS Section: 606.5

Current

Condition:

N/A

Budgeting Range:

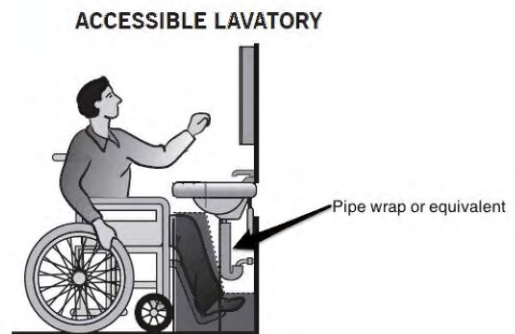
\$100.00 - \$150.00

Possible Solutions:

Provide protection at the exposed drain and water lines under the lavatory.

Barrier Priority:

7 (Medium): Access to goods and services (DOJ level 2) minimally out of compliance. Restrooms (DOJ level 3) – Moderately out of compliance Drinking fountains or public phones (DOJ level 4 & 5) severely out of compliance.



Police Station - Women's Locker Room

Finding: 106

The mirror is mounted at 48-1/4".

2010 ADAS Section 603.2
Clearances shall comply with 603.2.

Citation:

2010 ADAS Section: 603.2

Current Condition:

48-1/4"

Budgeting Range:

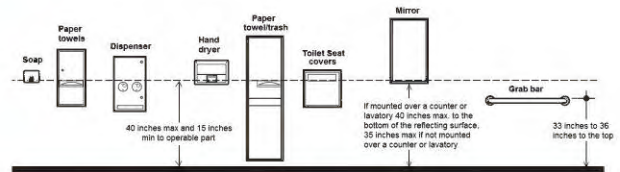
\$150.00 - \$200.00

Possible Solutions:

Lower mirror so the bottom reflective surface is no higher than 40" above finished floor or install a full height mirror.

Barrier Priority:

7 (Medium): Access to goods and services (DOJ level 2) minimally out of compliance. Restrooms (DOJ level 3) – Moderately out of compliance Drinking fountains or public phones (DOJ level 4 & 5) severely out of compliance.



Police Station - Break Room

Finding: 107

The top of the sink is 36" high where a maximum of 34" is required.

2010 ADAS Section 606.3

Lavatories and sinks shall be installed with the front of the higher of the rim or counter surface 34 inches (865 mm) maximum above the finish floor or ground.

Citation:

2010 ADAS Section: 606.3

Current

Condition:

36"

Budgeting Range:

\$1500.00 - \$2000.00

Possible Solutions:

Modify counter so that sink is no higher than 34".

Barrier Priority:

7 (Medium): Access to goods and services (DOJ level 2) minimally out of compliance. Restrooms (DOJ level 3) – Moderately out of compliance Drinking fountains or public phones (DOJ level 4 & 5) severely out of compliance.



Finding #107 Additional Finding Photos



Police Station - Break Room

Finding: 108

The paper towel dispensers highest operable part is at 56" and the toaster and toaster oven are out of the required reach range of 48" maximum.

2010 ADAS Section 308.2.1

Where a forward reach is unobstructed, the high forward reach shall be 48 inches (1220 mm) maximum and the low forward reach shall be 15 inches (380 mm) minimum above the finish floor or ground.

2010 ADAS Section 308.3.1

Where a clear floor or ground space allows a parallel approach to an element and the side reach is unobstructed, the high side reach shall be 48 inches (1220 mm) maximum and the low side reach shall be 15 inches (380 mm) minimum above the finish floor or ground.

Citation:

2010 ADAS Section: 308.2.1, 308.3.1

Current

Condition:

N/A

Budgeting Range:

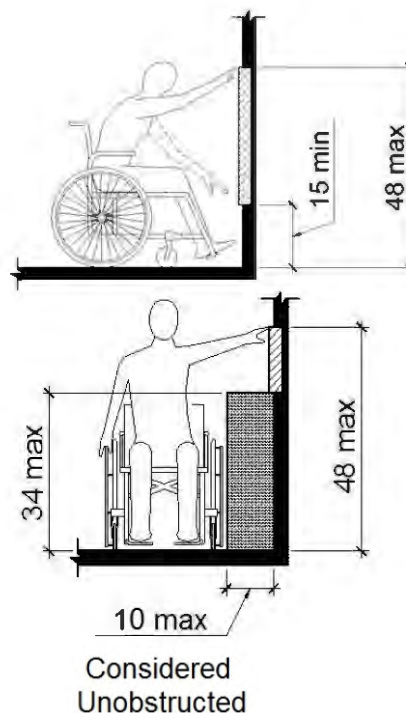
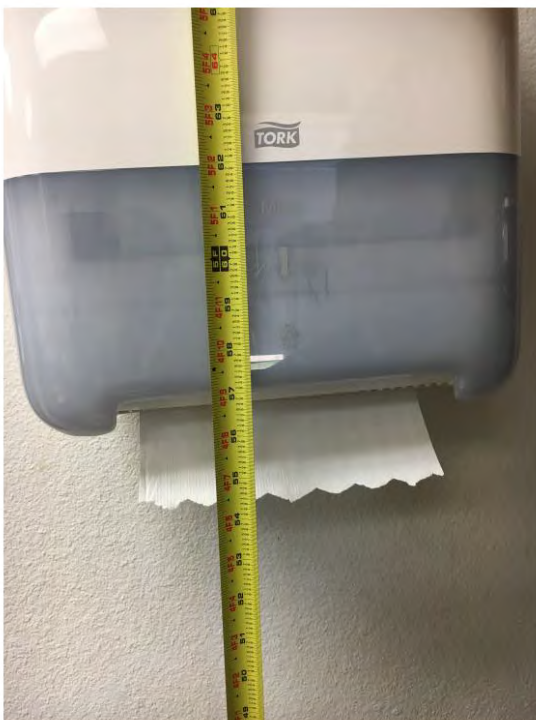
\$350.00 - \$400.00

Possible Solutions:

Lower paper towel dispenser so the highest operable part is at 48". Provide a toaster and toaster oven with in the required reach range.

Barrier Priority:

7 (Medium): Access to goods and services (DOJ level 2) minimally out of compliance. Restrooms (DOJ level 3) – Moderately out of compliance Drinking fountains or public phones (DOJ level 4 & 5) severely out of compliance.



Finding #108 Additional Finding Photos



Police Station - Break Room

Finding: 109

The highest operable part of the soda vending machine is at 56-1/2".

2010 ADAS Section 308.1
Reach ranges shall comply with 308.

Citation:

2010 ADAS Section: 308.1

Current Condition:

56-1/2"

Budgeting Range:

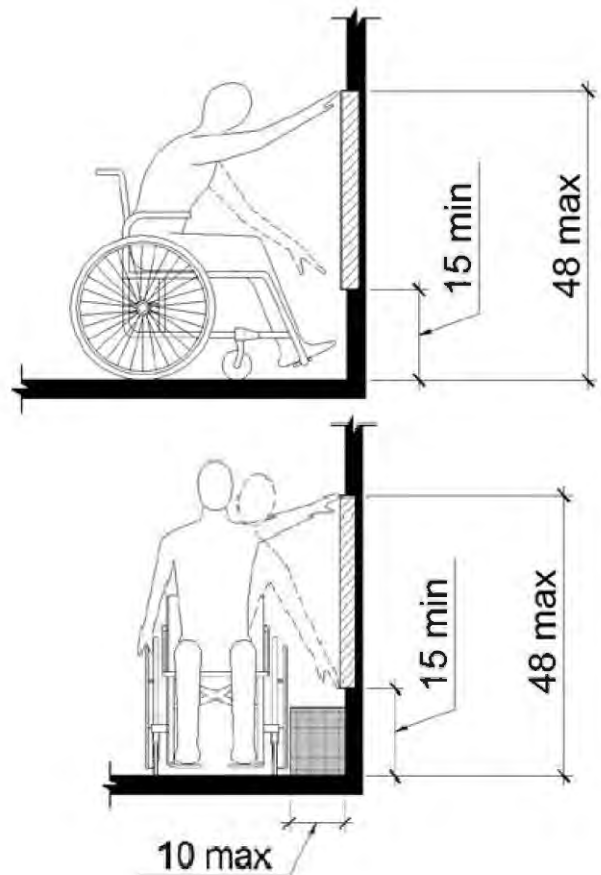
\$0.00 - \$0.00

Possible Solutions:

Request a new vending machine where the highest operable part is at 48". There is no cost associated with this finding.

Barrier Priority:

11 (Low): Client is a Title II agency, elements are out of compliance but may be able to handled programmatically, or do not need to be handled unless or until they hire a person with a disability.



Police Station - Break Room

Finding: 110

The highest operable part of the telephone is 61" high where 48" maximum is required.

2010 ADAS Section 308.2.1

Where a forward reach is unobstructed, the high forward reach shall be 48 inches (1220 mm) maximum and the low forward reach shall be 15 inches (380 mm) minimum above the finish floor or ground.

2010 ADAS Section 308.3.1

Where a clear floor or ground space allows a parallel approach to an element and the side reach is unobstructed, the high side reach shall be 48 inches (1220 mm) maximum and the low side reach shall be 15 inches (380 mm) minimum above the finish floor or ground.

Citation:

2010 ADAS Section: 308.2.1, 308.3.1

Current

Condition:

61"

Budgeting Range:

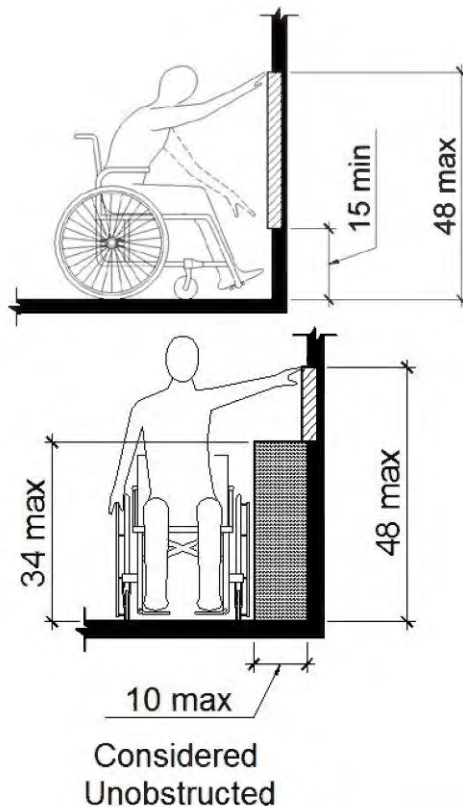
\$350.00 - \$400.00

Possible Solutions:

Lower the telephone so that the highest operable part is no higher than 48" high.

Barrier Priority:

11 (Low): Client is a Title II agency, elements are out of compliance but may be able to handled programmatically, or do not need to be handled unless or until they hire a person with a disability.



Police Station - Basement General

Finding: 111

Dispatch is located in the basement and no accessible route is provided to this level.

2010 ADAS Section 206.2.4

At least one accessible route shall connect accessible building or facility entrances with all accessible spaces and elements within the building or facility which are otherwise connected by a circulation path unless exempted by 206.2.3 Exceptions 1 through 7.

Citation:

2010 ADAS Section: 206.2.4

Current

Condition:

N/A

Budgeting Range:

\$145000.00 -

\$150000.00

Possible Solutions:

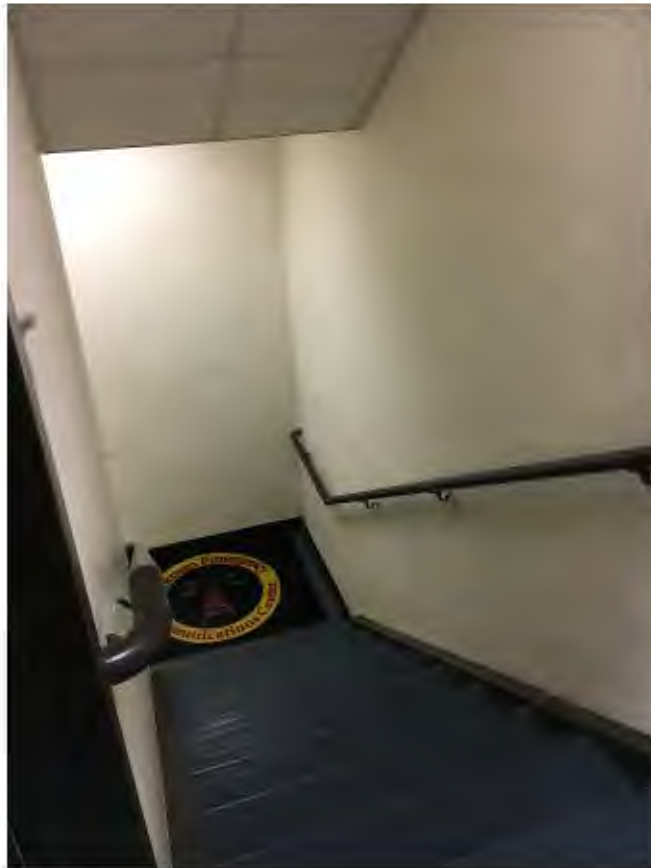
Install a compliant elevator for access to the basement. As this an employee only area, an employee with a disability will need to be accommodated by relocation to an accessible portion of the building or installation of accessible vertical access.

Barrier Priority:

6 (Medium): Access to goods and services (DOJ level 2) moderately out of compliance. Parking or exterior conditions (DOJ's level 1) – minimally out of compliance. Restrooms (DOJ level 3) – severely out of compliance.



Finding #111 Additional Finding Photos



Police Station - Basement General

Finding: 112

An 18" maneuvering clearance is not provided on the pull side of the door leading to the basement.

2010 ADAS Section 404.2.4.1

Swinging doors and gates shall have maneuvering clearances complying with Table 404.2.4.1.

Citation:

2010 ADAS Section: 404.2.4.1

Current

Condition:

N/A

Budgeting Range:

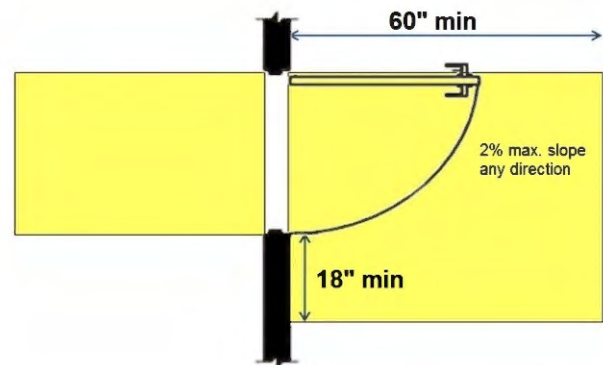
\$2000.00 - \$2500.00

Possible Solutions:

Modify door to provide a minimum 18" maneuvering clearance or add an automatic door closer.

Barrier Priority:

7 (Medium): Access to goods and services (DOJ level 2) minimally out of compliance. Restrooms (DOJ level 3) – Moderately out of compliance Drinking fountains or public phones (DOJ level 4 & 5) severely out of compliance.



Police Station - Basement General

Finding: 113

There is no accessible route to the office area in the basement, entrance requires a step up to get into the room.

2010 ADAS Section 206.2.4

At least one accessible route shall connect accessible building or facility entrances with all accessible spaces and elements within the building or facility which are otherwise connected by a circulation path unless exempted by 206.2.3 Exceptions 1 through 7.

Citation:

2010 ADAS Section: 206.2.4

Current

Condition:

N/A

Budgeting Range:

\$1500.00 - \$2000.00

Possible Solutions:

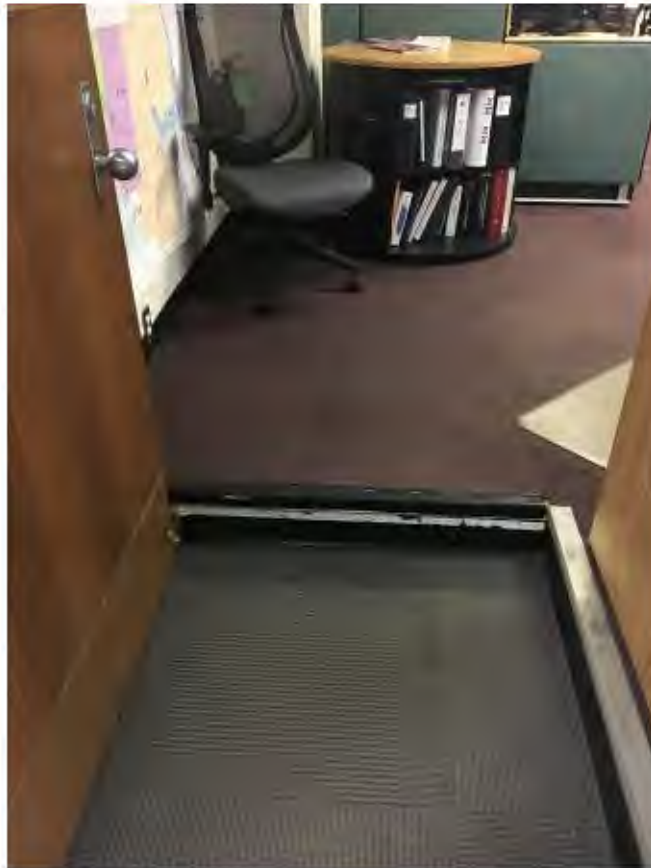
Provide an accessible route into the room. As this an employee only area, an employee with a disability will need to be accommodated by relocation to an accessible portion of the building or installation of accessible vertical access.

Barrier Priority:

7 (Medium): Access to goods and services (DOJ level 2) minimally out of compliance. Restrooms (DOJ level 3) – Moderately out of compliance Drinking fountains or public phones (DOJ level 4 & 5) severely out of compliance.



Finding #113 Additional Finding Photos



Police Station - Basement Men's Restroom

Finding: 114

The Men's restroom sign is mounted on the door. There is no Braille or tactile characters provided.

2010 ADAS Section 703.4.2

Where a tactile sign is provided at a door, the sign shall be located alongside the door at the latch side. Where a tactile sign is provided at double doors with one active leaf, the sign shall be located on the inactive leaf. Where a tactile sign is provided at double doors with two active leaves, the sign shall be located to the right of the right hand door. Where there is no wall space at the latch side of a single door or at the right side of double doors, signs shall be located on the nearest adjacent wall. Signs containing tactile characters shall be located so that a clear floor space of 18 inches (455 mm) minimum by 18 inches (455 mm) minimum, centered on the tactile characters, is provided beyond the arc of any door swing between the closed position and 45 degree open position.

Citation:

2010 ADAS Section: 703.4.2

Current

Condition:

N/A

Budgeting Range:

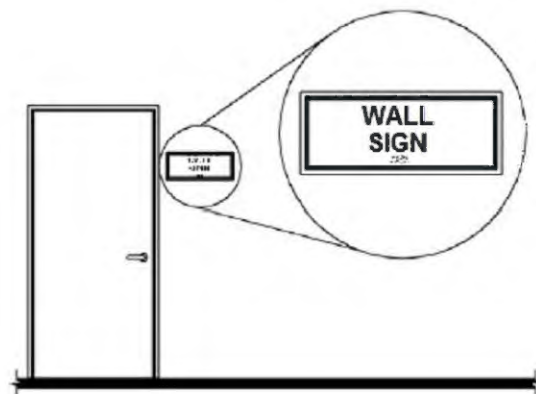
\$200.00 - \$250.00

Possible Solutions:

Install complaint signage with Braille and tactile characters on the latch side of the door.

Barrier Priority:

6 (Medium): Access to goods and services (DOJ level 2) moderately out of compliance. Parking or exterior conditions (DOJ's level 1) – minimally out of compliance. Restrooms (DOJ level 3) – severely out of compliance.



Police Station - Basement Men's Restroom

Finding: 115

The door exceeds the maximum 5 pounds of pressure to open.

2010 ADAS Section 404.2.9

Fire doors shall have a minimum opening force allowable by the appropriate administrative authority. The force for pushing or pulling open a door or gate other than fire doors shall be as follows: 1. Interior hinged doors and gates: 5 pounds (22.2 N) maximum. 2. Sliding or folding doors: 5 pounds (22.2 N) maximum. These forces do not apply to the force required to retract latch bolts or disengage other devices that hold the door or gate in a closed position.

Citation:

2010 ADAS Section: 404.2.9

Current

Condition:

N/A

Budgeting Range:

\$100.00 - \$150.00

Possible Solutions:

Adjust closing mechanism.

Barrier Priority:

7 (Medium): Access to goods and services (DOJ level 2) minimally out of compliance. Restrooms (DOJ level 3) – Moderately out of compliance Drinking fountains or public phones (DOJ level 4 & 5) severely out of compliance.



Police Station - Basement Men's Restroom

Finding: 116

The restroom door has a 2" maneuvering clearance on the pull side of the door where a minimum of 18" is required.

2010 ADAS Section 404.2.4.1

Swinging doors and gates shall have maneuvering clearances complying with Table 404.2.4.1.

Citation:

2010 ADAS Section: 404.2.4.1

Current

Condition:

2"

Budgeting Range:

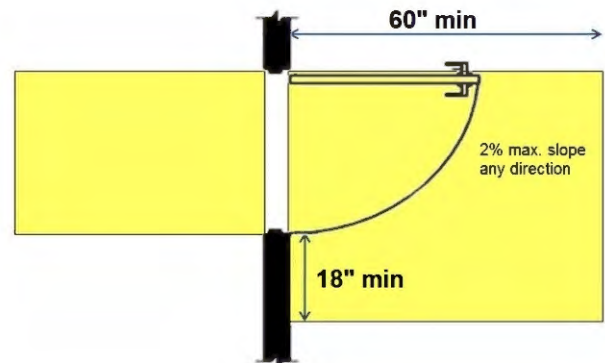
\$2000.00 - \$2500.00

Possible Solutions:

Modify door to provide a minimum 18" maneuvering clearance or reverse the swing of the door.

Barrier Priority:

6 (Medium): Access to goods and services (DOJ level 2) moderately out of compliance. Parking or exterior conditions (DOJ's level 1) – minimally out of compliance. Restrooms (DOJ level 3) – severely out of compliance.



Police Station - Basement Men's Restroom

Finding: 117

No accessible toilet compartment is provided.

2010 ADAS Section 213.3.1

Where toilet compartments are provided, at least one toilet compartment shall comply with 604.8.1. In addition to the compartment required to comply with 604.8.1, at least one compartment shall comply with 604.8.2 where six or more toilet compartments are provided, or where the combination of urinals and water closets totals six or more fixtures.

Citation:

2010 ADAS Section: 213.3.1

Current

Condition:

N/A

Budgeting Range:

\$3500.00 - \$4000.00

Possible Solutions:

Modify partitions to provide a wheelchair accessible compartment. Clearance around a water closet shall be 60" minimum measured perpendicular from the side wall and 56" minimum measured perpendicular from the rear wall.

Barrier Priority:

6 (Medium): Access to goods and services (DOJ level 2) moderately out of compliance. Parking or exterior conditions (DOJ's level 1) – minimally out of compliance. Restrooms (DOJ level 3) – severely out of compliance.



Police Station - Basement Men's Restroom

Finding: 118

The water and drain pipes under the lavatory are not adequately insulated.

2010 ADAS Section 606.5

Water supply and drain pipes under lavatories and sinks shall be insulated or otherwise configured to protect against contact. There shall be no sharp or abrasive surfaces under lavatories and sinks.

Citation:

2010 ADAS Section: 606.5

Current

Condition:

N/A

Budgeting Range:

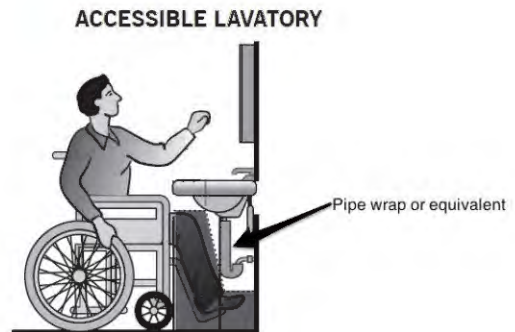
\$100.00 - \$150.00

Possible Solutions:

Provide protection at the exposed drain and water lines under the lavatory.

Barrier Priority:

7 (Medium): Access to goods and services (DOJ level 2) minimally out of compliance. Restrooms (DOJ level 3) – Moderately out of compliance Drinking fountains or public phones (DOJ level 4 & 5) severely out of compliance.



Police Station - Basement Men's Restroom

Finding: 119

No accessible shower compartment is provided.

2010 ADAS Section 213.3.6

Where bathtubs or showers are provided, at least one bathtub complying with 607 or at least one shower complying with 608 shall be provided.

Citation:

2010 ADAS Section: 213.3.6

Current

Condition:

N/A

Budgeting Range:

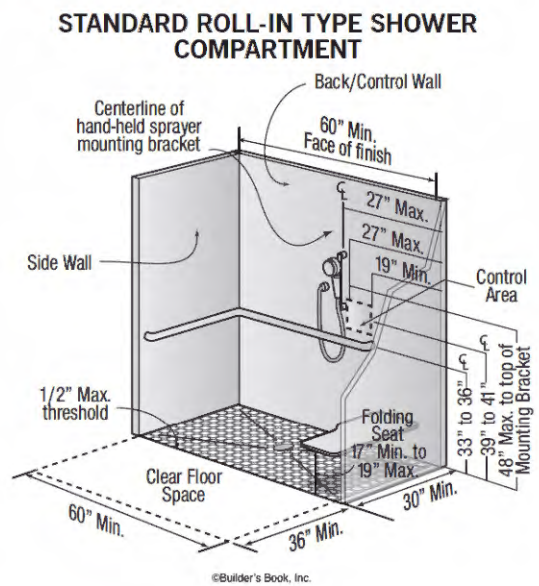
\$3500.00 - \$4000.00

Possible Solutions:

Modify shower room to provide an accessible shower stall.

Barrier Priority:

11 (Low): Client is a Title II agency, elements are out of compliance but may be able to handled programmatically, or do not need to be handled unless or until they hire a person with a disability.



Police Station - Basement Men's Restroom

Finding: 120

The paper towel dispenser's operation mechanism is at 53" where a maximum of 48" is required.

2010 ADAS Section 308.2.1

Where a forward reach is unobstructed, the high forward reach shall be 48 inches (1220 mm) maximum and the low forward reach shall be 15 inches (380 mm) minimum above the finish floor or ground.

Citation:

2010 ADAS Section: 308.2.1

Current

Condition:

53"

Budgeting Range:

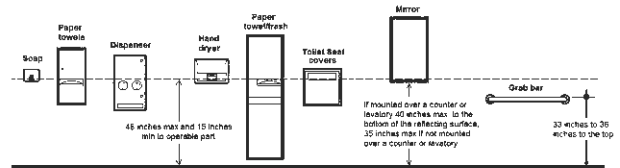
\$450.00 - \$500.00

Possible Solutions:

Lower paper towel dispenser so the highest operable part is at 48" above finished floor.

Barrier Priority:

8 (Medium): Drinking fountains or public phones (DOJ level 4 & 5) - moderately out of compliance.



Police Station - Basement Women's Restroom

Finding: 121

The Women's restroom sign is mounted on the door. There is no Braille or tactile characters provided.

2010 ADAS Section 703.4.2

Where a tactile sign is provided at a door, the sign shall be located alongside the door at the latch side. Where a tactile sign is provided at double doors with one active leaf, the sign shall be located on the inactive leaf. Where a tactile sign is provided at double doors with two active leafs, the sign shall be located to the right of the right hand door. Where there is no wall space at the latch side of a single door or at the right side of double doors, signs shall be located on the nearest adjacent wall. Signs containing tactile characters shall be located so that a clear floor space of 18 inches (455 mm) minimum by 18 inches (455 mm) minimum, centered on the tactile characters, is provided beyond the arc of any door swing between the closed position and 45 degree open position.

Citation:

2010 ADAS Section: 703.4.2

Current

Condition:

N/A

Budgeting Range:

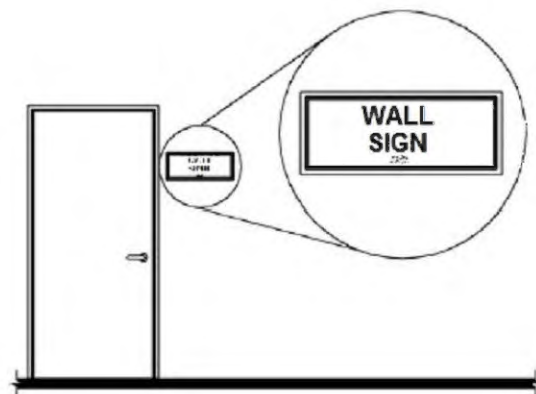
\$200.00 - \$250.00

Possible Solutions:

Install complaint signage with Braille and tactile characters on the latch side of the door.

Barrier Priority:

6 (Medium): Access to goods and services (DOJ level 2) moderately out of compliance. Parking or exterior conditions (DOJ's level 1) – minimally out of compliance. Restrooms (DOJ level 3) – severely out of compliance.



Police Station - Basement Women's Restroom

Finding: 122

The door exceeds the maximum 5 pounds of pressure to open.

2010 ADAS Section 404.2.9

Fire doors shall have a minimum opening force allowable by the appropriate administrative authority. The force for pushing or pulling open a door or gate other than fire doors shall be as follows: 1. Interior hinged doors and gates: 5 pounds (22.2 N) maximum. 2. Sliding or folding doors: 5 pounds (22.2 N) maximum. These forces do not apply to the force required to retract latch bolts or disengage other devices that hold the door or gate in a closed position.

Citation:

2010 ADAS Section: 404.2.9

Current

Condition:

N/A

Budgeting Range:

\$100.00 - \$150.00

Possible Solutions:

Adjust closing mechanism.

Barrier Priority:

7 (Medium): Access to goods and services (DOJ level 2) minimally out of compliance. Restrooms (DOJ level 3) – Moderately out of compliance Drinking fountains or public phones (DOJ level 4 & 5) severely out of compliance.



Finding #122 Additional Finding Photos



Police Station - Basement Women's Restroom

Finding: 123

The restroom door has a 2" maneuvering clearance on the pull side of the door where a minimum of 18" is required.

2010 ADAS Section 404.2.4.1

Swinging doors and gates shall have maneuvering clearances complying with Table 404.2.4.1.

Citation:

2010 ADAS Section: 404.2.4.1

Current

Condition:

2"

Budgeting Range:

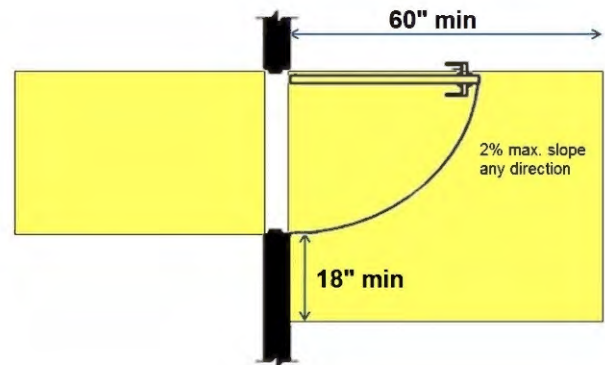
\$2000.00 - \$2500.00

Possible Solutions:

Modify door to provide a minimum 18" maneuvering clearance or reverse the swing of the door.

Barrier Priority:

7 (Medium): Access to goods and services (DOJ level 2) minimally out of compliance. Restrooms (DOJ level 3) – Moderately out of compliance Drinking fountains or public phones (DOJ level 4 & 5) severely out of compliance.



Police Station - Basement Women's Restroom

Finding: 124

No accessible toilet compartment is provided.

2010 ADAS Section 213.3.1

Where toilet compartments are provided, at least one toilet compartment shall comply with 604.8.1. In addition to the compartment required to comply with 604.8.1, at least one compartment shall comply with 604.8.2 where six or more toilet compartments are provided, or where the combination of urinals and water closets totals six or more fixtures.

Citation:

2010 ADAS Section: 213.3.1

Current

Condition:

N/A

Budgeting Range:

\$3500.00 - \$4000.00

Possible Solutions:

Modify partitions to provide a wheelchair accessible compartment. Clearance around a water closet shall be 60" minimum measured perpendicular from the side wall and 56" minimum measured perpendicular from the rear wall.

Barrier Priority:

6 (Medium): Access to goods and services (DOJ level 2) moderately out of compliance. Parking or exterior conditions (DOJ's level 1) – minimally out of compliance. Restrooms (DOJ level 3) – severely out of compliance.



Police Station - Basement Women's Restroom

Finding: 125

The lavatory's clear floor space is not a minimum 30 inches wide by 48 inches deep. It is only 38-3/4" deep and is blocked by the toilet compartment/shower compartment partitions.

2010 ADAS Section 606.2

A clear floor space complying with 305, positioned for a forward approach, and knee and toe clearance complying with 306 shall be provided.

Citation:

2010 ADAS Section: 606.2

Current

Condition:

N/A

Budgeting Range:

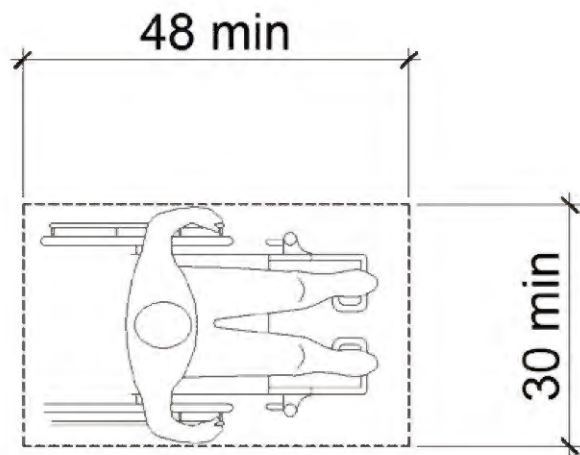
\$3000.00 - \$5000.00

Possible Solutions:

Modify restroom to provide the required clear floor space for all fixtures.

Barrier Priority:

6 (Medium): Access to goods and services (DOJ level 2) moderately out of compliance. Parking or exterior conditions (DOJ's level 1) – minimally out of compliance. Restrooms (DOJ level 3) – severely out of compliance.



Police Station - Basement Women's Restroom

Finding: 126

The required knee clearance under the lavatory is blocked by a filing cabinet.

2010 ADAS Section 306.3.3

Where knee clearance is required under an element as part of a clear floor space, the knee clearance shall be 11 inches (280 mm) deep minimum at 9 inches (230 mm) above the finish floor or ground, and 8 inches (205 mm) deep minimum at 27 inches (685 mm) above the finish floor or ground.

Citation:

2010 ADAS Section: 306.3.3

Current

Condition:

N/A

Budgeting Range:

\$0.00 - \$0.00

Possible Solutions:

Remove filing cabinet to allow for the required clearance under the lavatory. No cost is associated with this finding.

Barrier Priority:

7 (Medium): Access to goods and services (DOJ level 2) minimally out of compliance. Restrooms (DOJ level 3) – Moderately out of compliance Drinking fountains or public phones (DOJ level 4 & 5) severely out of compliance.



Police Station - Basement Women's Restroom

Finding: 127

The faucet controls require twisting of the wrist.

2010 ADAS Section 606.4

Controls for faucets shall comply with 309. Hand-operated metering faucets shall remain open for 10 seconds minimum.

Citation:

2010 ADAS Section: 606.4

Current

Condition:

N/A

Budgeting Range:

\$450.00 - \$500.00

Possible Solutions:

Replace with lever style faucet controls.

Barrier Priority:

6 (Medium): Access to goods and services (DOJ level 2) moderately out of compliance. Parking or exterior conditions (DOJ's level 1) – minimally out of compliance. Restrooms (DOJ level 3) – severely out of compliance.



Police Station - Basement Women's Restroom

Finding: 128

The water and drain pipes under the lavatory are not adequately insulated.

2010 ADAS Section 606.5

Water supply and drain pipes under lavatories and sinks shall be insulated or otherwise configured to protect against contact. There shall be no sharp or abrasive surfaces under lavatories and sinks.

Citation:

2010 ADAS Section: 606.5

Current

Condition:

N/A

Budgeting Range:

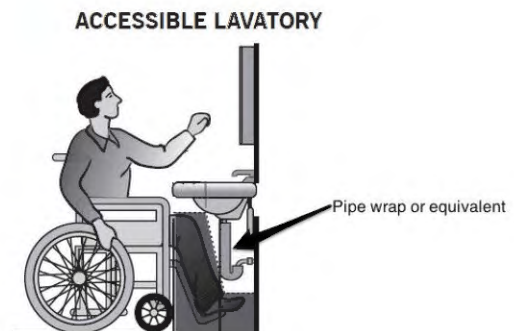
\$100.00 - \$150.00

Possible Solutions:

Provide protection at the exposed drain and water lines under the lavatory.

Barrier Priority:

7 (Medium): Access to goods and services (DOJ level 2) minimally out of compliance. Restrooms (DOJ level 3) – Moderately out of compliance Drinking fountains or public phones (DOJ level 4 & 5) severely out of compliance.



Police Station - Basement Women's Restroom

Finding: 129

No accessible shower compartment is provided.

2010 ADAS Section 213.3.6

Where bathtubs or showers are provided, at least one bathtub complying with 607 or at least one shower complying with 608 shall be provided.

Citation:

2010 ADAS Section: 213.3.6

Current

Condition:

N/A

Budgeting Range:

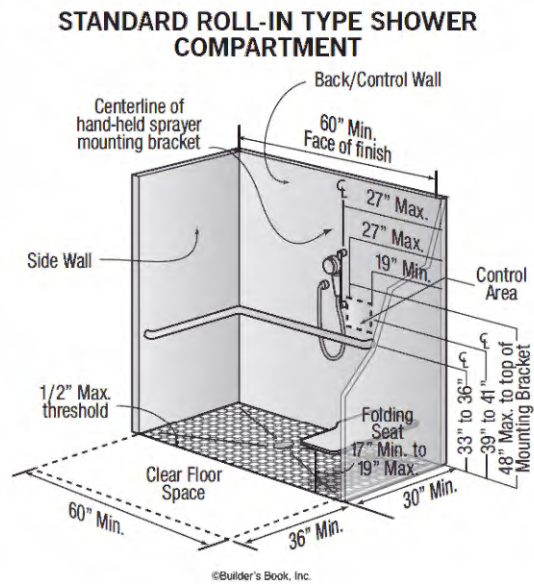
\$3500.00 - \$4000.00

Possible Solutions:

Modify shower room to provide an accessible shower compartment.

Barrier Priority:

11 (Low): Client is a Title II agency, elements are out of compliance but may be able to handled programmatically, or do not need to be handled unless or until they hire a person with a disability.



Police Station - Basement Break Room

Finding: 130

The top of the sink is 35-3/4" high where a maximum of 34" is required.

2010 ADAS Section 606.3

Lavatories and sinks shall be installed with the front of the higher of the rim or counter surface 34 inches (865 mm) maximum above the finish floor or ground.

Citation:

2010 ADAS Section: 606.3

Current

Condition:

35-3/4"

Budgeting Range:

\$1500.00 - \$2000.00

Possible Solutions:

Modify sink to provide 34" maximum height.

Barrier Priority:

5 (Medium): Access to goods and services issues (DOJ level 2) - severely out of compliance.



Finding #130 Additional Finding Photos



Site Accessibility Evaluation



Municipal Complex - Building C

**201 W Gray St
Norman, OK 73069**

Accessibility Evaluation

Inspection Date: 09/20/2017

Inspector: Karen Jackson

Prepared By



(972) 434 - 0068

www.accessology.com

Table of Contents

Findings 3

Parking lot L (Shared with building A and the Library) 3

General 4

Men's Restroom 23

Women's Restroom 30

Break Area 35

Break Room 37

Parking lot L (Shared with building A and the Library)

Finding: 1

This parking lot serves buildings A and C as well as the Library. The portion of the parking lot that serves buildings A & C will need one additional parking space, access aisle and compliant parking signage.

There should be a minimum of 3 accessible stalls with a minimum of 1 being designed as van accessible.

2010 ADAS Section 208.2

Parking spaces complying with 502 shall be provided in accordance with Table 208.2 except as required by 208.2.1, 208.2.2, and 208.2.3. Where more than one parking facility is provided on a site, the number of accessible spaces provided on the site shall be calculated according to the number of spaces required for each parking facility.

Citation:

2010 ADAS Section: 208.2

Budgeting Range:

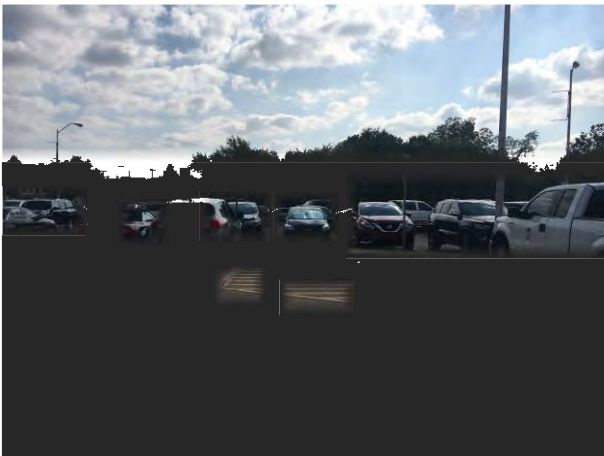
\$2500.00 - \$3000.00

Possible Solutions:

Add one accessible parking space and an access aisle with compliant signage to serve buildings A & C.

Barrier Priority:

6 (Medium): Access to goods and services (DOJ level 2) moderately out of compliance. Parking or exterior conditions (DOJ's level 1) – minimally out of compliance. Restrooms (DOJ level 3) – severely out of compliance.



Total Number of Parking Spaces Provided in Parking Facility	Minimum Number of Required Accessible Parking Spaces
1 to 25	1
26 to 50	2
51 to 75	3
76 to 100	4
101 to 150	5
151 to 200	6
201 to 300	7
301 to 400	8
401 to 500	9
501 to 1000	2 percent of total
1001 and over	20, plus 1 for each 100, or fraction thereof, over 1000

General

Finding: 2

The Human Resources transaction counter is at 43-7/8" to the top of the counter. No accessible counter is provided.

2010 ADAS Section 904.4.1

A portion of the counter surface that is 36 inches (915 mm) long minimum and 36 inches (915 mm) high maximum above the finish floor shall be provided. A clear floor or ground space complying with 305 shall be positioned for a parallel approach adjacent to the 36 inch (915 mm) minimum length of counter.

Citation:

2010 ADAS Section: 904.4.1

Budgeting Range:

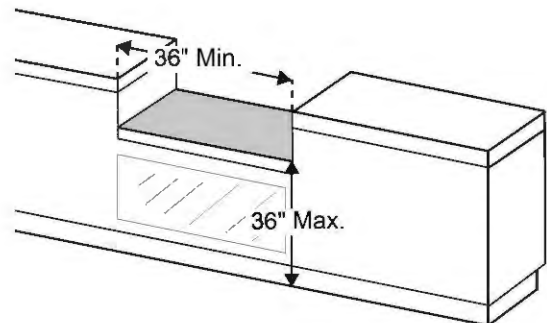
\$1500.00 - \$2000.00

Possible Solutions:

Modify counter to provide an accessible counter that is 36" long minimum at 36" high maximum.

Barrier Priority:

6 (Medium): Access to goods and services (DOJ level 2) moderately out of compliance. Parking or exterior conditions (DOJ's level 1) – minimally out of compliance. Restrooms (DOJ level 3) – severely out of compliance.



Finding #2 Additional Finding Photos



General

Finding: 3

The transaction counter is at 43-7/8" to the top of the counter. No accessible counter is provided.

2010 ADAS Section 904.4.2

A portion of the counter surface that is 30 inches (760 mm) long minimum and 36 inches (915 mm) high maximum shall be provided. Knee and toe space complying with 306 shall be provided under the counter. A clear floor or ground space complying with 305 shall be positioned for a forward approach to the counter.

2010 ADAS Section 904.4.1

A portion of the counter surface that is 36 inches (915 mm) long minimum and 36 inches (915 mm) high maximum above the finish floor shall be provided. A clear floor or ground space complying with 305 shall be positioned for a parallel approach adjacent to the 36 inch (915 mm) minimum length of counter.

Citation:

2010 ADAS Section: 904.4.2, 904.4.1

Budgeting Range:

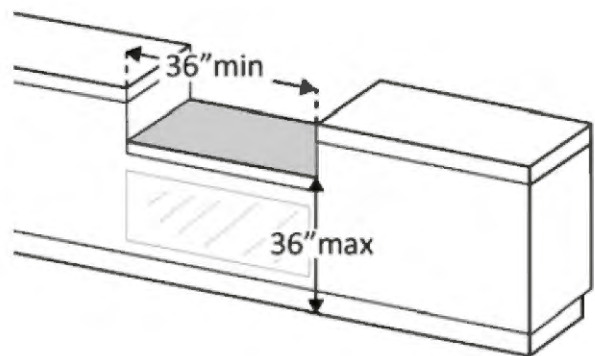
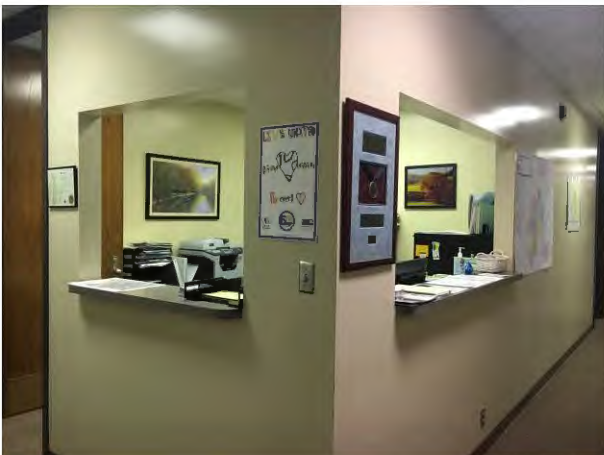
\$1500.00 - \$2000.00

Possible Solutions:

Modify counter to provide an accessible counter that is 36" long minimum at 36" high maximum.

Barrier Priority:

7 (Medium): Access to goods and services (DOJ level 2) minimally out of compliance. Restrooms (DOJ level 3) – Moderately out of compliance Drinking fountains or public phones (DOJ level 4 & 5) severely out of compliance.



Finding #3 Additional Finding Photos



General

Finding: 4

The Water Bill Payment transaction counter is at 41" to the top of the counter. No accessible counter is provided.

2010 ADAS Section 904.4.2

A portion of the counter surface that is 30 inches (760 mm) long minimum and 36 inches (915 mm) high maximum shall be provided. Knee and toe space complying with 306 shall be provided under the counter. A clear floor or ground space complying with 305 shall be positioned for a forward approach to the counter.

2010 ADAS Section 904.4.1

A portion of the counter surface that is 36 inches (915 mm) long minimum and 36 inches (915 mm) high maximum above the finish floor shall be provided. A clear floor or ground space complying with 305 shall be positioned for a parallel approach adjacent to the 36 inch (915 mm) minimum length of counter.

Citation:

2010 ADAS Section: 904.4.2, 904.4.1

Budgeting Range:

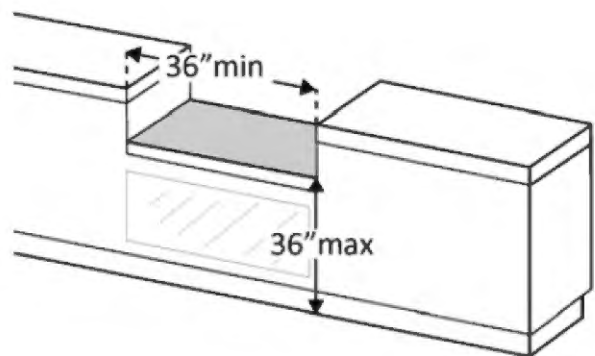
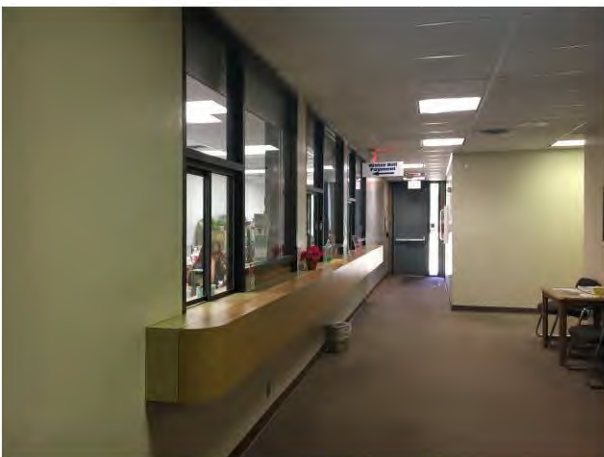
\$1500.00 - \$2000.00

Possible Solutions:

Modify counter to provide an accessible counter that is 36" long minimum at 36" high maximum.

Barrier Priority:

7 (Medium): Access to goods and services (DOJ level 2) minimally out of compliance. Restrooms (DOJ level 3) – Moderately out of compliance Drinking fountains or public phones (DOJ level 4 & 5) severely out of compliance.



Finding #4 Additional Finding Photos



General

Finding: 5

There are 59 doors throughout the facility that have door hardware that requires tight grasping or twisting of the wrist to operate.

2010 ADAS Section 309.4

Operable parts shall be operable with one hand and shall not require tight grasping, pinching, or twisting of the wrist. The force required to activate operable parts shall be 5 pounds (22.2 N) maximum.

Citation:

2010 ADAS Section: 309.4

Budgeting Range:

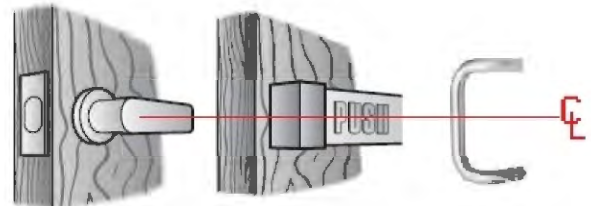
\$22000.00 - \$22500.00

Possible Solutions:

Replace with lever style door hardware.

Barrier Priority:

5 (Medium): Access to goods and services issues (DOJ level 2) - severely out of compliance.



Lever Panic Bar Loop Handle

Operating hardware must be centered between 34" and 44" above the floor or ground

General

Finding: 6

There are 5 room signs that are missing Braille and tactile characters.

2010 ADAS Section 216.2

Interior and exterior signs identifying permanent rooms and spaces shall comply with 703.1, 703.2, and 703.5. Where pictograms are provided as designations of permanent interior rooms and spaces, the pictograms shall comply with 703.6 and shall have text descriptors complying with 703.2 and 703.5.

Citation:

2010 ADAS Section: 216.2

Budgeting Range:

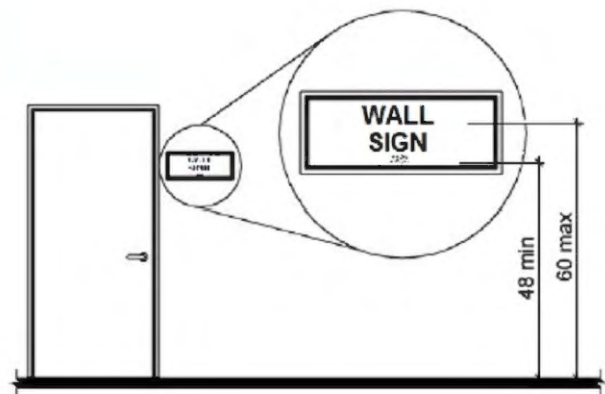
\$1000.00 - \$1250.00

Possible Solutions:

Replace with signage that has Braille and tactile characters and mount signage on the latch side of the doors.

Barrier Priority:

6 (Medium): Access to goods and services (DOJ level 2) moderately out of compliance. Parking or exterior conditions (DOJ's level 1) – minimally out of compliance. Restrooms (DOJ level 3) – severely out of compliance.



Finding #6 Additional Finding Photos



Finding #6 Additional Finding Photos



General

Finding: 7

The storage room door has a 13-5/8" maneuvering clearance on the pull side where a minimum of 18" is required.

2010 ADAS Section 404.2.4.1

Swinging doors and gates shall have maneuvering clearances complying with Table 404.2.4.1.

Citation:

2010 ADAS Section: 404.2.4.1

Budgeting Range:

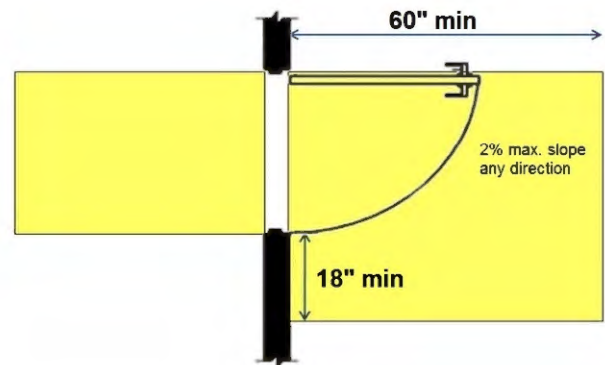
\$2000.00 - \$2500.00

Possible Solutions:

Modify door to provide a minimum of 18" maneuvering clearance on the pull side.

Barrier Priority:

7 (Medium): Access to goods and services (DOJ level 2) minimally out of compliance. Restrooms (DOJ level 3) – Moderately out of compliance Drinking fountains or public phones (DOJ level 4 & 5) severely out of compliance.



General

Finding: 8

The door at the testing room in Human Resources has an 8" maneuvering clearance on the pull side where a minimum of 18" is required.

2010 ADAS Section 404.2.4.1

Swinging doors and gates shall have maneuvering clearances complying with Table 404.2.4.1.

Citation:

2010 ADAS Section: 404.2.4.1

Budgeting Range:

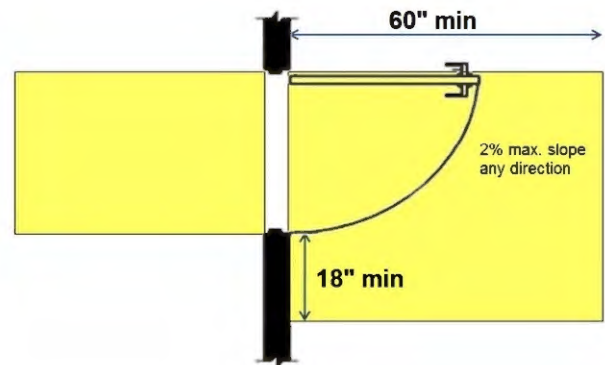
\$2000.00 - \$2500.00

Possible Solutions:

Modify door to provide a minimum of 18" maneuvering clearance on the pull side.

Barrier Priority:

7 (Medium): Access to goods and services (DOJ level 2) minimally out of compliance. Restrooms (DOJ level 3) – Moderately out of compliance Drinking fountains or public phones (DOJ level 4 & 5) severely out of compliance.



General

Finding: 9

There is only one drinking fountain provided outside the Men's restroom, it has no compliant features.

2010 ADAS Section 211.2

No fewer than two drinking fountains shall be provided. One drinking fountain shall comply with 602.1 through 602.6 and one drinking fountain shall comply with 602.7.

Citation:

2010 ADAS Section: 211.2

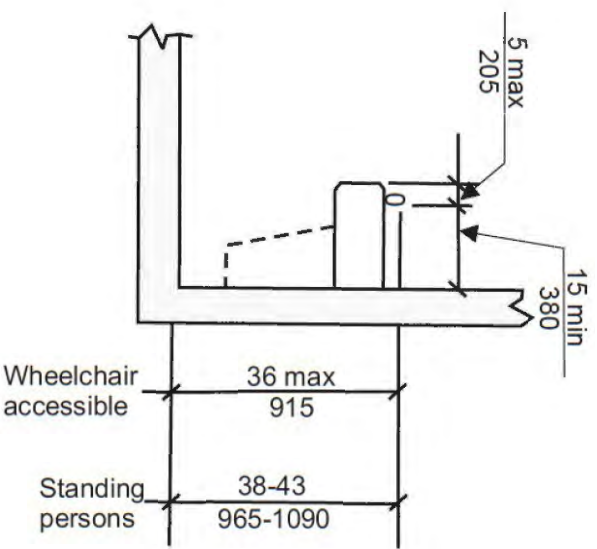
Budgeting Range:
\$3500.00 - \$4500.00

Possible Solutions:

Provide a new hi/low drinking fountain.

Barrier Priority:

7 (Medium): Access to goods and services (DOJ level 2) minimally out of compliance. Restrooms (DOJ level 3) – Moderately out of compliance Drinking fountains or public phones (DOJ level 4 & 5) severely out of compliance.



General

Finding: 10

There is only one drinking fountain provided outside the IT area. The fountain is for standing persons and no accessible fountain is provided.

2010 ADAS Section 211.2

No fewer than two drinking fountains shall be provided. One drinking fountain shall comply with 602.1 through 602.6 and one drinking fountain shall comply with 602.7.

Citation:

Budgeting Range:

2010 ADAS Section: 211.2

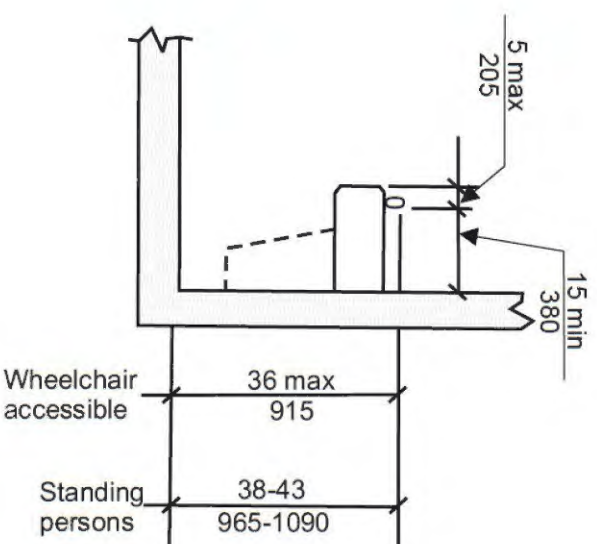
\$3500.00 - \$4500.00

Possible Solutions:

Provide a new hi/low drinking fountain.

Barrier Priority:

7 (Medium): Access to goods and services (DOJ level 2) minimally out of compliance. Restrooms (DOJ level 3) – Moderately out of compliance Drinking fountains or public phones (DOJ level 4 & 5) severely out of compliance.



Finding #10 Additional Finding Photos



General

Finding: 11

There are 4 fire extinguishers located next to exit doors that protrude more than 4" into the circulation path.

2010 ADAS Section 307.2

Objects with leading edges more than 27 inches (685 mm) and not more than 80 inches (2030 mm) above the finish floor or ground shall protrude 4 inches (100 mm) maximum horizontally into the circulation path.

Citation:

2010 ADAS Section: 307.2

Budgeting Range:

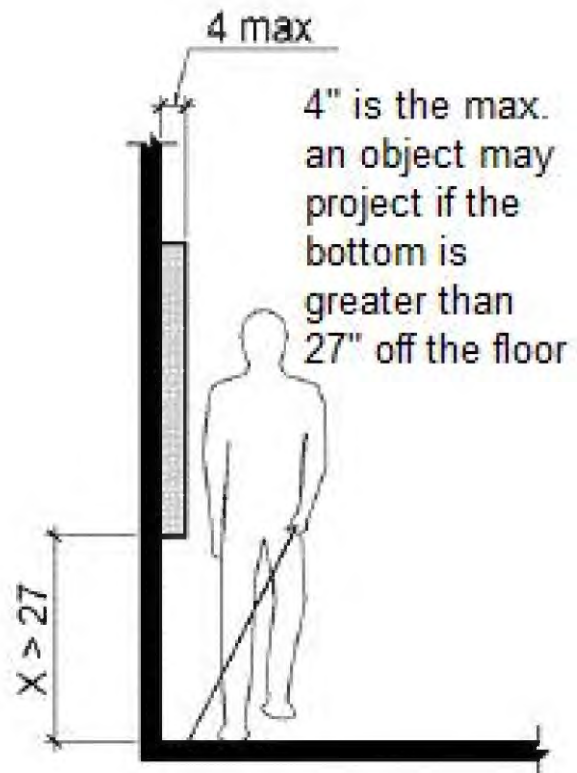
\$350.00 - \$400.00

Possible Solutions:

Relocate fire extinguishers to a location that is not within the circulation path.

Barrier Priority:

11 (Low): Client is a Title II agency, elements are out of compliance but may be able to handled programmatically, or do not need to be handled unless or until they hire a person with a disability.



Finding #11 Additional Finding Photos



General

Finding: 12

The maneuvering space on the pull side of the door is 12" where a minimum of 18" is required.

2010 ADAS Section 404.2.4.1

Swinging doors and gates shall have maneuvering clearances complying with Table 404.2.4.1.

Citation:

2010 ADAS Section: 404.2.4.1

Budgeting Range:

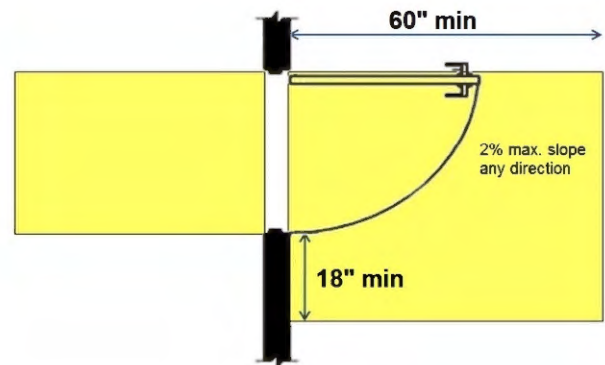
\$1500.00 - \$2500.00

Possible Solutions:

Modify door to provide a minimum of 18" maneuvering clearance on the pull side or reverse the swing of the door.

Barrier Priority:

6 (Medium): Access to goods and services (DOJ level 2) moderately out of compliance. Parking or exterior conditions (DOJ's level 1) – minimally out of compliance. Restrooms (DOJ level 3) – severely out of compliance.



Finding #12 Additional Finding Photos



Men's Restroom

Finding: 13

Men's restroom signage is hanging from the ceiling. No complaint signage was provided at the latch side of the restroom door.

2010 ADAS Section 216.2

Interior and exterior signs identifying permanent rooms and spaces shall comply with 703.1, 703.2, and 703.5. Where pictograms are provided as designations of permanent interior rooms and spaces, the pictograms shall comply with 703.6 and shall have text descriptors complying with 703.2 and 703.5.

Citation:

2010 ADAS Section: 216.2

Budgeting Range:

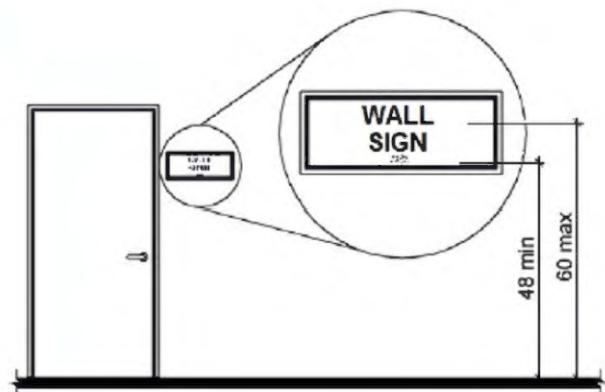
\$200.00 - \$250.00

Possible Solutions:

Provide complaint signage with Braille and tactile characters on the latch side of the door.

Barrier Priority:

6 (Medium): Access to goods and services (DOJ level 2) moderately out of compliance. Parking or exterior conditions (DOJ's level 1) – minimally out of compliance. Restrooms (DOJ level 3) – severely out of compliance.



Men's Restroom

Finding: 14

No accessible toilet compartment is provided.

2010 ADAS Section 213.3.1

Where toilet compartments are provided, at least one toilet compartment shall comply with 604.8.1. In addition to the compartment required to comply with 604.8.1, at least one compartment shall comply with 604.8.2 where six or more toilet compartments are provided, or where the combination of urinals and water closets totals six or more fixtures.

Citation:

2010 ADAS Section: 213.3.1

Budgeting Range:

\$4500.00 - \$5000.00

Possible Solutions:

Modify partitions to provide a wheelchair accessible compartment. Clearance around a water closet shall be 60" minimum measured perpendicular from the side wall and 56" minimum measured perpendicular from the rear wall.

Barrier Priority:

6 (Medium): Access to goods and services (DOJ level 2) moderately out of compliance. Parking or exterior conditions (DOJ's level 1) – minimally out of compliance. Restrooms (DOJ level 3) – severely out of compliance.



Men's Restroom

Finding: 15

The urinal is located in an area that does not provide the required clear floor space for a front approach. Additionally, it is located in an alcove that is 24" deep and only 27" wide.

2010 ADAS Section 605.2

Urinals shall be the stall-type or the wall-hung type with the rim 17 inches (430 mm) maximum above the finish floor or ground. Urinals shall be 13 1/2 inches (345 mm) deep minimum measured from the outer face of the urinal rim to the back of the fixture.

Citation:

2010 ADAS Section: 605.2

Budgeting Range:

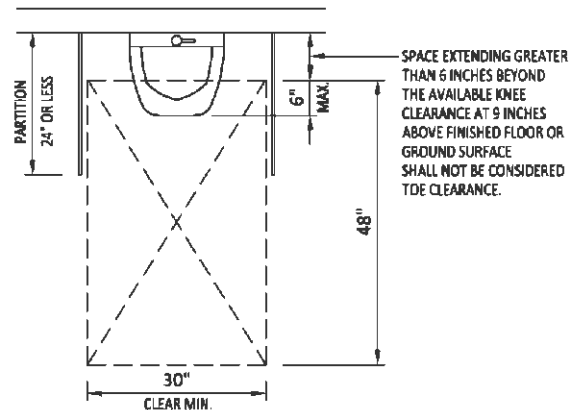
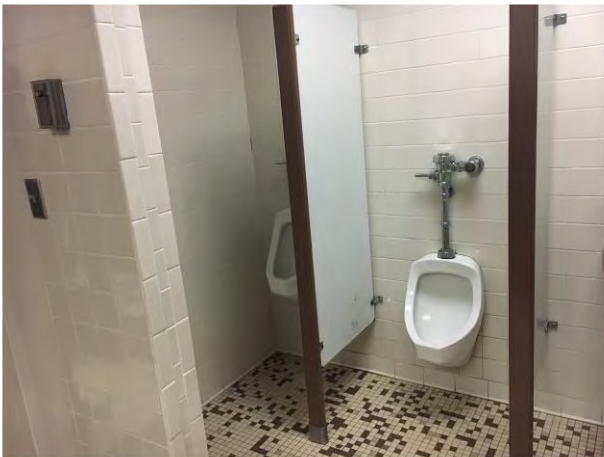
\$1500.00 - \$2500.00

Possible Solutions:

Remove urinal partitions to provide the required clear floor space.

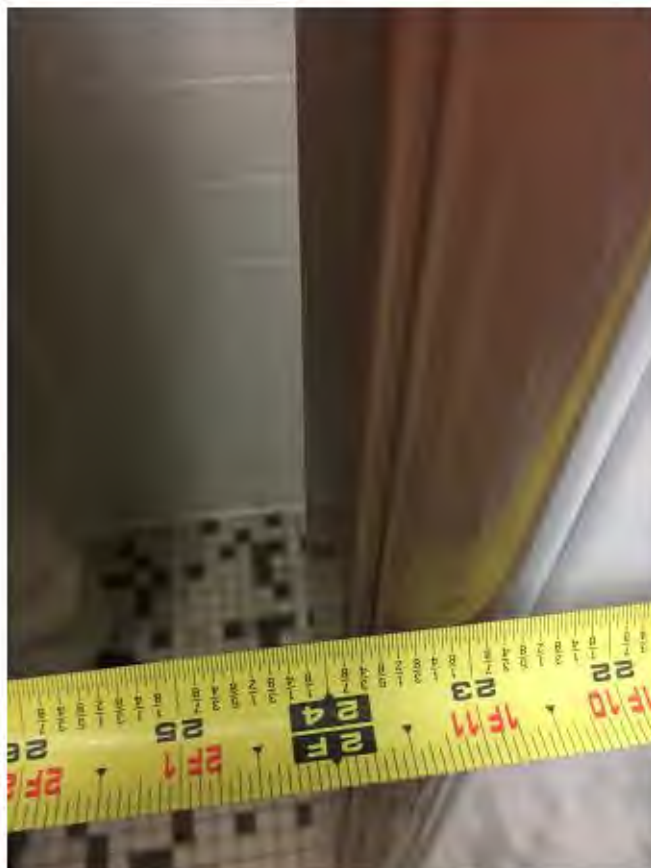
Barrier Priority:

9 (Low): Restrooms (DOJ level 3) – minimally out of compliance.



URINAL CLEAR SPACE
PARTITION 24" OR LESS

Finding #15 Additional Finding Photos



Men's Restroom

Finding: 16

The pedestal blocks the required knee clearance.

2010 ADAS Section 306.3.3

Where knee clearance is required under an element as part of a clear floor space, the knee clearance shall be 11 inches (280 mm) deep minimum at 9 inches (230 mm) above the finish floor or ground, and 8 inches (205 mm) deep minimum at 27 inches (685 mm) above the finish floor or ground.

Citation:

2010 ADAS Section: 306.3.3

Budgeting Range:

\$2000.00 - \$2500.00

Possible Solutions:

Provide a compliant lavatory.

Barrier Priority:

6 (Medium): Access to goods and services (DOJ level 2) moderately out of compliance. Parking or exterior conditions (DOJ's level 1) – minimally out of compliance. Restrooms (DOJ level 3) – severely out of compliance.



Finding #16 Additional Finding Photos



Men's Restroom

Finding: 17

The mirror is mounted at 41-3/4" to the bottom of the reflective surface.

2010 ADAS Section 603.2
Clearances shall comply with 603.2.

Citation:

2010 ADAS Section: 603.2

Budgeting Range:

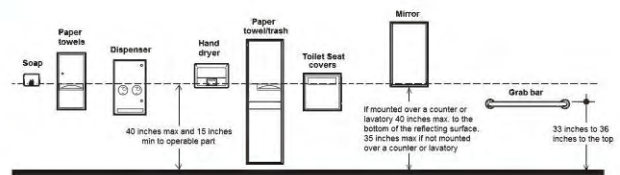
\$150.00 - \$200.00

Possible Solutions:

Lower mirror so the bottom of the reflective surface is no higher than 40" above finished floor to the bottom of the reflective surface or install a full height mirror.

Barrier Priority:

9 (Low): Restrooms (DOJ level 3) – minimally out of compliance.



Women's Restroom

Finding: 18

No accessible toilet compartment is provided.

2010 ADAS Section 213.3.1

Where toilet compartments are provided, at least one toilet compartment shall comply with 604.8.1. In addition to the compartment required to comply with 604.8.1, at least one compartment shall comply with 604.8.2 where six or more toilet compartments are provided, or where the combination of urinals and water closets totals six or more fixtures.

Citation:

2010 ADAS Section: 213.3.1

Budgeting Range:

\$4500.00 - \$5000.00

Possible Solutions:

Modify partitions to provide a wheelchair accessible compartment. Clearance around a water closet shall be 60" minimum measured perpendicular from the side wall and 56" minimum measured perpendicular from the rear wall.

Barrier Priority:

6 (Medium): Access to goods and services (DOJ level 2) moderately out of compliance. Parking or exterior conditions (DOJ's level 1) – minimally out of compliance. Restrooms (DOJ level 3) – severely out of compliance.



Women's Restroom

Finding: 19

The pedestal blocks the required knee clearance.

2010 ADAS Section 306.3.3

Where knee clearance is required under an element as part of a clear floor space, the knee clearance shall be 11 inches (280 mm) deep minimum at 9 inches (230 mm) above the finish floor or ground, and 8 inches (205 mm) deep minimum at 27 inches (685 mm) above the finish floor or ground.

Citation:

2010 ADAS Section: 306.3.3

Budgeting Range:

\$2000.00 - \$2500.00

Possible Solutions:

Provide a compliant lavatory.

Barrier Priority:

6 (Medium): Access to goods and services (DOJ level 2) moderately out of compliance. Parking or exterior conditions (DOJ's level 1) – minimally out of compliance. Restrooms (DOJ level 3) – severely out of compliance.



Finding #19 Additional Finding Photos



Women's Restroom

Finding: 20

The mirror is mounted too high.

2010 ADAS Section 603.2
Clearances shall comply with 603.2.

Citation:

2010 ADAS Section: 603.2

Budgeting Range:

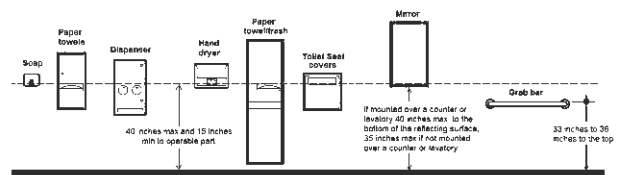
\$150.00 - \$200.00

Possible Solutions:

Lower mirror so the bottom of the reflective surface is no higher than 40" above finished floor to the bottom of the reflective surface or install a full height mirror.

Barrier Priority:

9 (Low): Restrooms (DOJ level 3) – minimally out of compliance.



Women's Restroom

Finding: 21

The feminine product dispenser requires tight grasping, pinching or twisting of the wrist.

2010 ADAS Section 309.4

Operable parts shall be operable with one hand and shall not require tight grasping, pinching, or twisting of the wrist. The force required to activate operable parts shall be 5 pounds (22.2 N) maximum.

Citation:

2010 ADAS Section: 309.4

Budgeting Range:

\$300.00 - \$450.00

Possible Solutions:

Replace with a dispenser that has controls that do not require grasping and twisting to operate.

Barrier Priority:

9 (Low): Restrooms (DOJ level 3) – minimally out of compliance.



Break Area

Finding: 22

The sink in the break area is 36" high where 34" high maximum is required.

2010 ADAS Section 606.3

Lavatories and sinks shall be installed with the front of the higher of the rim or counter surface 34 inches (865 mm) maximum above the finish floor or ground.

Citation:

2010 ADAS Section: 606.3

Budgeting Range:

\$1500.00 - \$2000.00

Possible Solutions:

Modify counter to provide a 34" maximum height.

Barrier Priority:

7 (Medium): Access to goods and services (DOJ level 2) minimally out of compliance. Restrooms (DOJ level 3) – Moderately out of compliance Drinking fountains or public phones (DOJ level 4 & 5) severely out of compliance.



Finding #22 Additional Finding Photos



Break Room

Finding: 23

The sink in the break room is 36" high where 34" high maximum is required.

2010 ADAS Section 606.3

Lavatories and sinks shall be installed with the front of the higher of the rim or counter surface 34 inches (865 mm) maximum above the finish floor or ground.

Citation:

2010 ADAS Section: 606.3

Budgeting Range:

\$1500.00 - \$2000.00

Possible Solutions:

Modify counter to provide 34" maximum height.

Barrier Priority:

7 (Medium): Access to goods and services (DOJ level 2) minimally out of compliance. Restrooms (DOJ level 3) – Moderately out of compliance Drinking fountains or public phones (DOJ level 4 & 5) severely out of compliance.



Finding #23 Additional Finding Photos



Break Room

Finding: 24

The refrigerator in the break room is positioned so that it blocks the required clear floor space for access to the sink.

2010 ADAS Section 305.3

The clear floor or ground space shall be 30 inches (760 mm) minimum by 48 inches (1220 mm) minimum

Citation:

2010 ADAS Section: 305.3

Budgeting Range:

\$0.00 - \$0.00

Possible Solutions:

Relocate the refrigerator. There is no cost associated with this finding.

Barrier Priority:

11 (Low): Client is a Title II agency, elements are out of compliance but may be able to handled programmatically, or do not need to be handled unless or until they hire a person with a disability.

